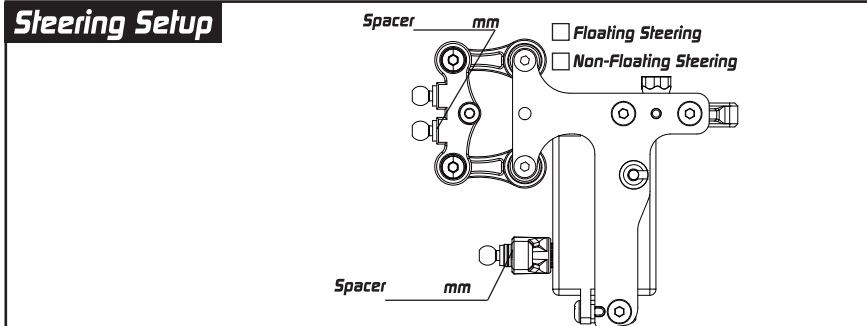
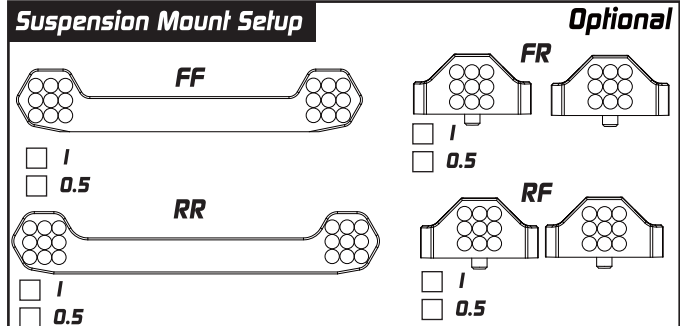
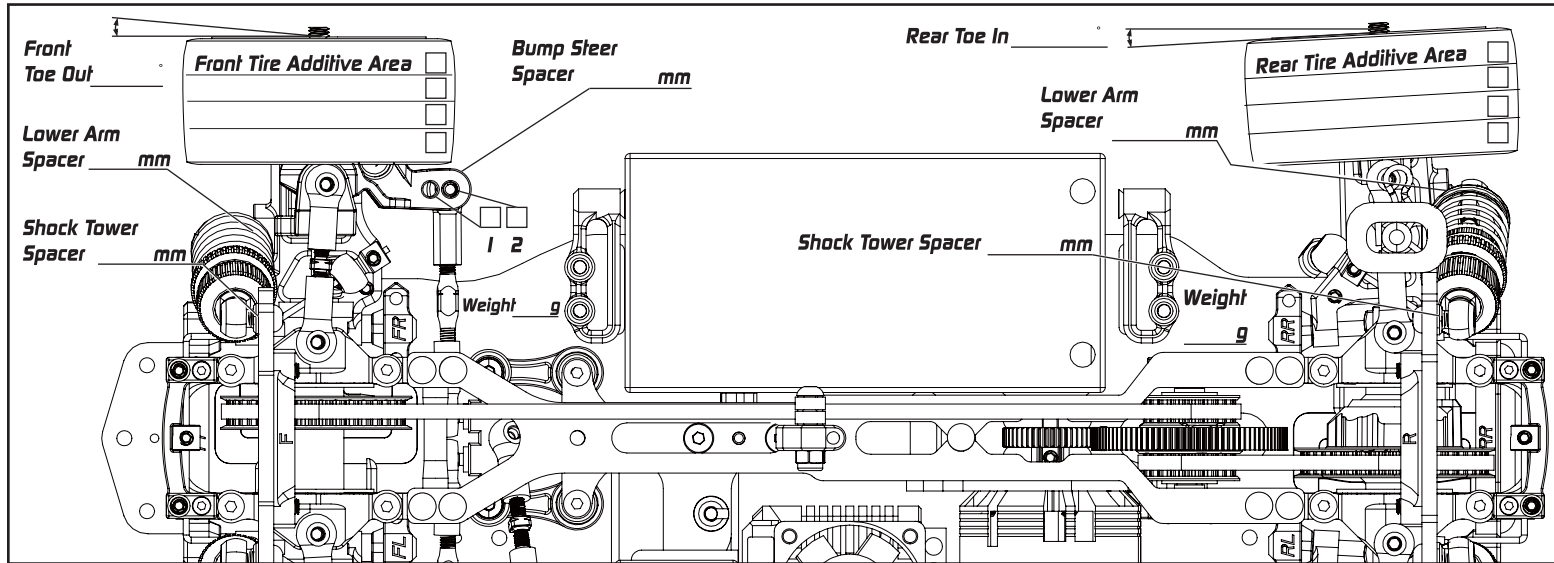
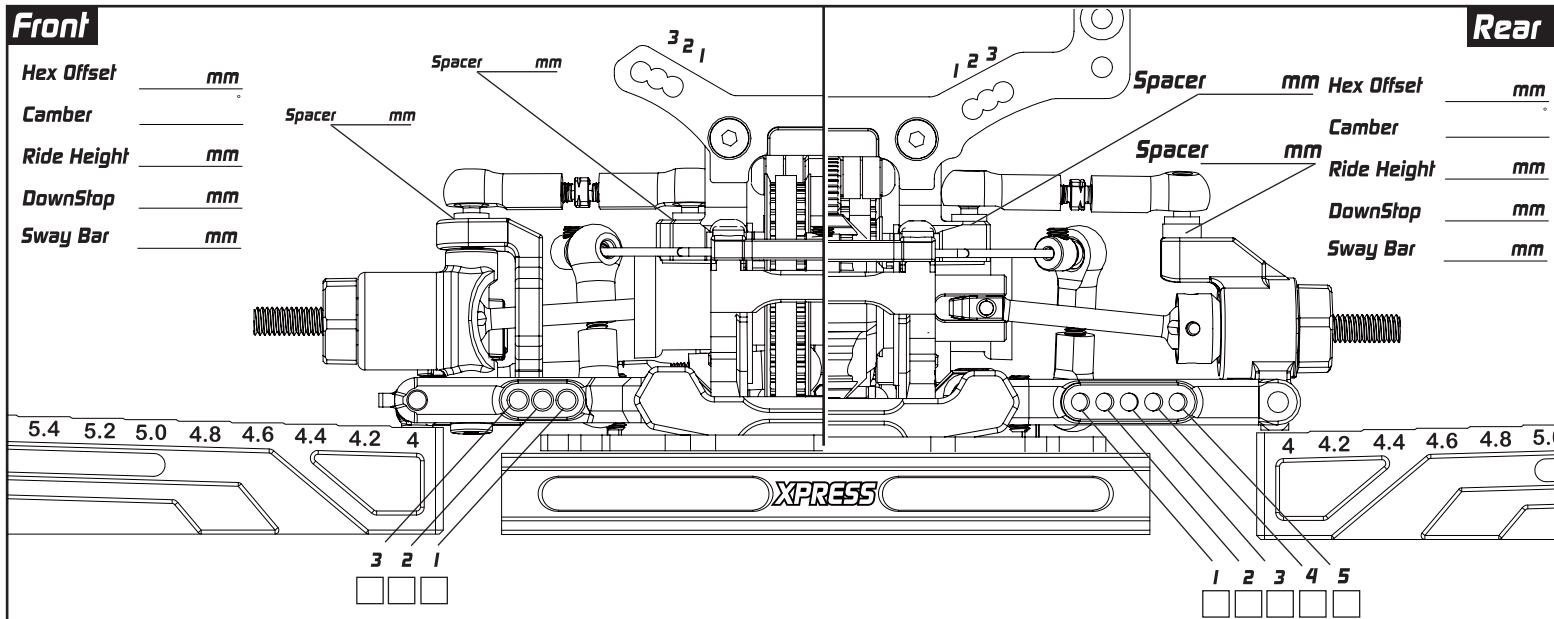


**Driver** \_\_\_\_\_ **Track Surface** \_\_\_\_\_ **Track Temperature** \_\_\_\_\_  
**Date** \_\_\_\_\_ **Track Traction** \_\_\_\_\_ **Result** \_\_\_\_\_ **Air Temperature** \_\_\_\_\_  
**Track** \_\_\_\_\_ **Country** \_\_\_\_\_ **Best Lap** \_\_\_\_\_ **Humidity** \_\_\_\_\_ **Remark** \_\_\_\_\_



### Damper Setup

	Front	Rear
Spring	_____	_____
Oil	_____	_____
Rebound	_____	_____
Piston	_____	_____
Length	_____	_____
Foam Insert	<input type="checkbox"/>	<input type="checkbox"/>
Hole In Cap	<input type="checkbox"/>	<input type="checkbox"/>

### Transmission Setup

<b>Front</b>	<b>Rear</b>
_____	_____
Oil _____	Gear Diff _____
Weight _____ g	Oil _____
Position _____	Weight _____ g
	Position _____

### Others

Servo \_\_\_\_\_ Tires \_\_\_\_\_  
 Esc \_\_\_\_\_ Additive \_\_\_\_\_  
 Motor \_\_\_\_\_ Body \_\_\_\_\_  
 Spur \_\_\_\_\_ P/ \_\_\_\_\_ T Rear Wing \_\_\_\_\_  
 Pinon \_\_\_\_\_ P/ \_\_\_\_\_ T FDR \_\_\_\_\_