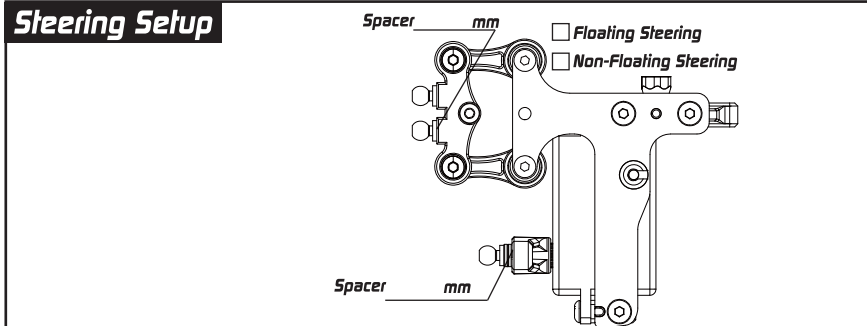
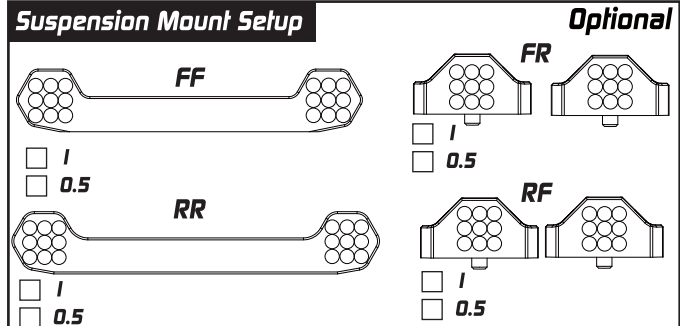
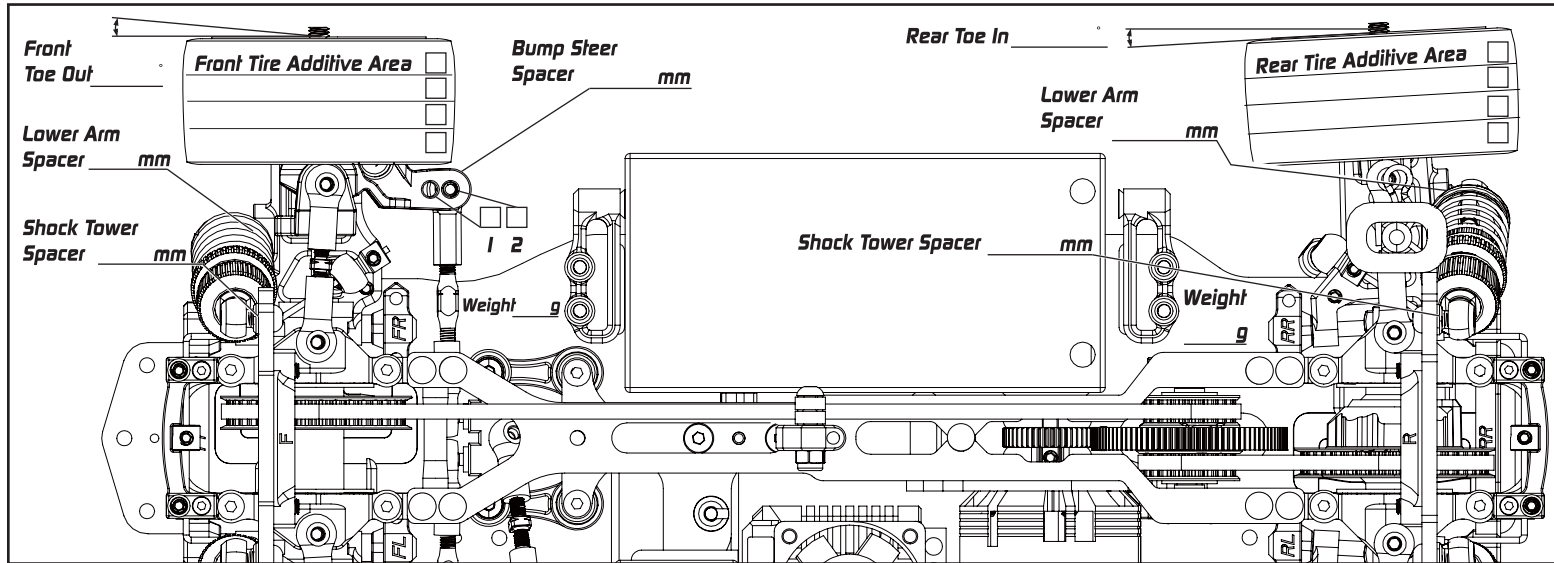
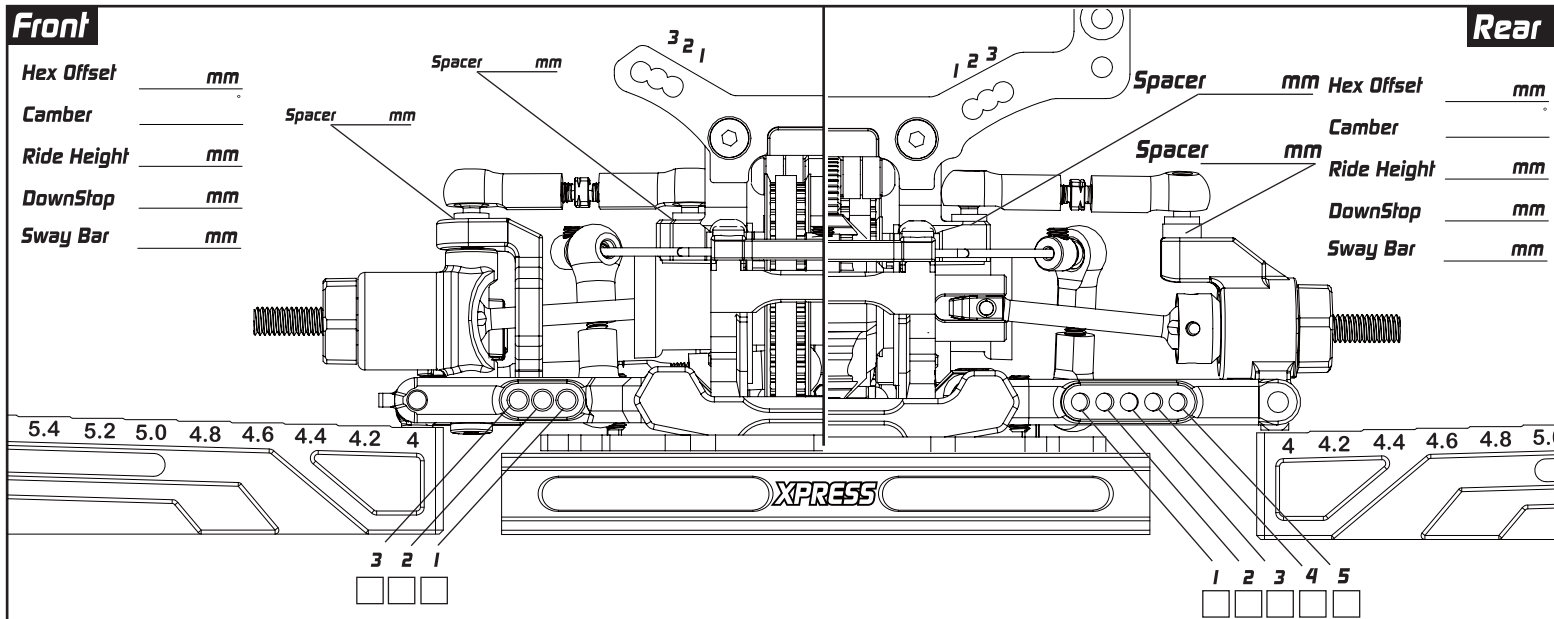


Driver _____ Track Surface _____ Track Temperature _____
 Date _____ Track Traction _____ Result _____ Air Temperature _____
 Track _____ Country _____ Best Lap _____ Humidity _____ Remark _____



Damper Setup

	Front	Rear
Spring	_____	_____
Oil	_____	_____
Rebound	_____	_____
Piston	_____	_____
Length	_____	_____
Foam Insert	<input type="checkbox"/>	Foam Insert <input type="checkbox"/>
Hole In Cap	<input type="checkbox"/>	Hole In Cap <input type="checkbox"/>

Transmission Setup

Front	Rear
Oil	_____
Weight _____ g	Oil _____
Position _____	Weight _____ g
	Position _____

Others

Servo _____ Tires _____
 Esc _____ Additive _____
 Motor _____ Body _____
 Spur _____ P/ T Rear Wing _____
 Pinon _____ P/ T FDR _____