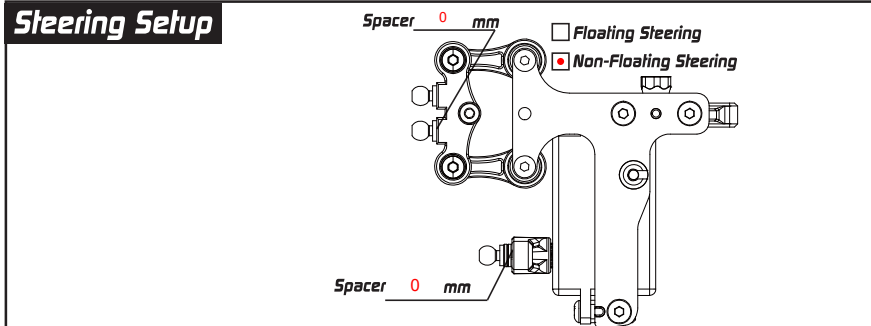
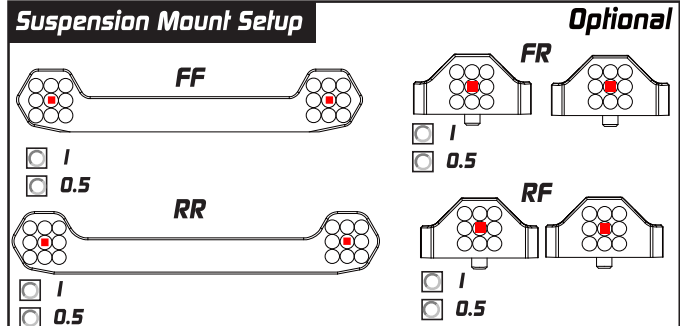
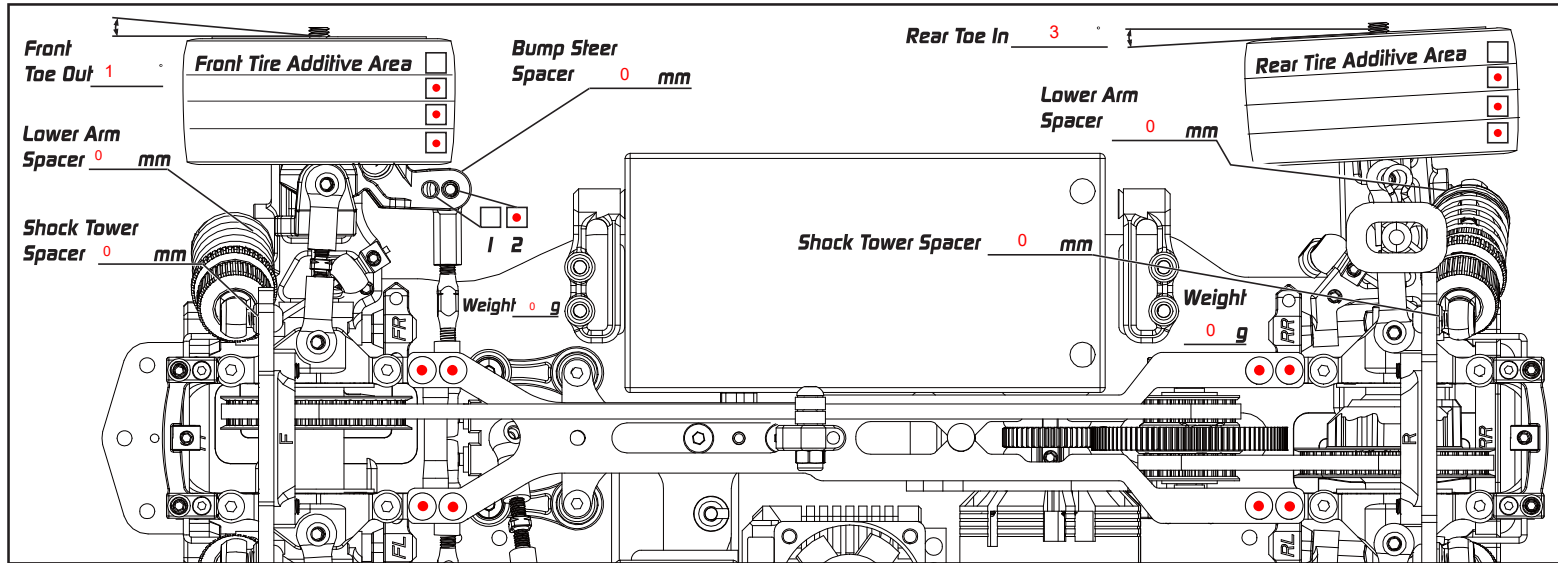
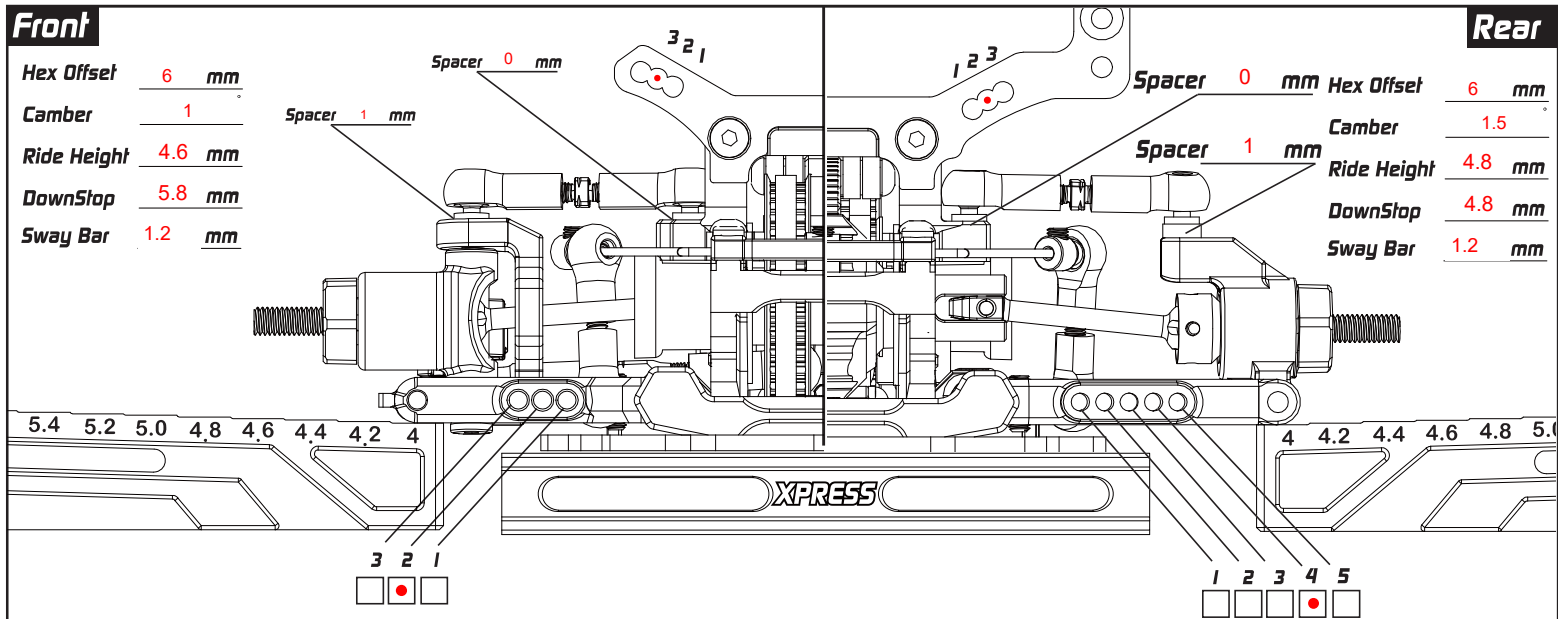


Driver FayeChai **Track Surface** Outdoor **Asphalt** **Track Temperature** 55
Date 2 Oct 2018 **Track Traction** Medium **Result** **Air Temperature** 28
Track pyc **Country** hk **Best Lap** **Humidity** **Remark**



Damper Setup

| | Front | Rear |
|-------------|--|-----------------------------------|
| Spring | Xpress Touring Spring Medium Soft Yellow | Xpress Touring Spring Medium blue |
| Oil | Xpress 450cst | Xpress 450cst |
| Rebound | 0 | 0 |
| Piston | 4 | 4 |
| Length | 50 | 50 |
| Foam Insert | <input type="checkbox"/> | <input type="checkbox"/> |
| Hole In Cap | <input type="checkbox"/> | <input type="checkbox"/> |

Transmission Setup

| Front | Rear |
|----------------------------|---------------------|
| Spool | Gear Diff |
| Oil | Oil <u>8000</u> |
| Weight <u> </u> g | Weight <u>13</u> g |
| Position <u>Low</u> | Position <u>Low</u> |

Others

| | | | |
|-------|------------|-----------|------------|
| Servo | powerHD | Tires | Xpress 36R |
| Esc | ORCA | Additive | |
| Motor | 10.5 | Body | pickup |
| Spur | 64 P/ 35 T | Rear Wing | |
| Pinon | 64 P/ 96 T | FDR | 0.692 |