

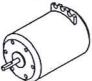


Name: WW Date: 2017/04/15 City / Country: Hong Kong Race: _____ Track: ACO
 Temperature Track: _____ Temperature Air: 27°C Track Surface: Carpet Asphalt Track Layout: Technical Mixed Fast
 Best Lap: _____ Total Time _____ Lap _____
 Memo:

Transmission
 Gear Differential: or Locker: 
 Differential Oil: 7000st
 Oil Weight: _____
 Memo:

Gear Ratio
 Pinion/ T: 56 Spur Gear/ T: 98 
 Spur Gear Pinion x 1.9 = Final Drive Ratio: 332:1
 (Shaft Pulley : 38T / Diff. Pulley: 20T = 1.9 Internal Gear Ratio)
 Memo:

Power TP Actinium v2
 Motor: 13.5T Esc: ORCA vX3 
 End Bell Timing: 0°
 Batteries: ORCA
 Cooling Fan: YEAH RACING
 Esc Setting / Memo: Drag Brake 0% , Binky mode

Front	Suspension	Rear
<u>400cst</u>	Shock Oil	<u>350cst</u>
<u>0%</u>	Rebound	<u>0%</u>
<u>1 Hole</u>	Piston	<u>2 Hole</u>
	Foam Insert	
<u>MST 210154-3 RED</u>	Spring	<u>MST 210154-4 white</u>
<u>1.0mm</u>	Anti-Roll Bar	<u>1.0mm</u>

Memo:

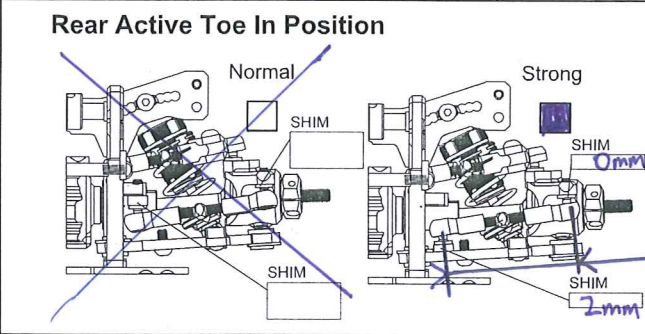
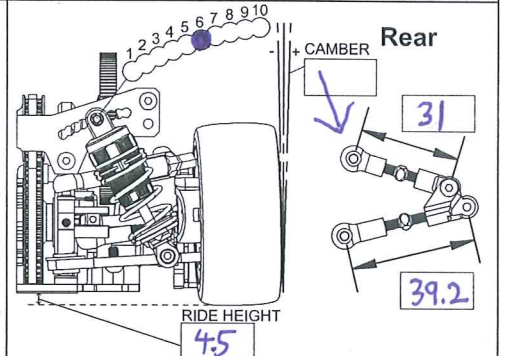
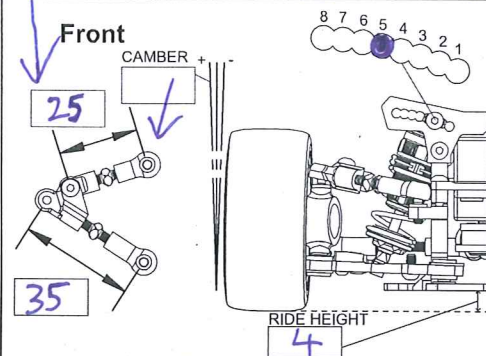
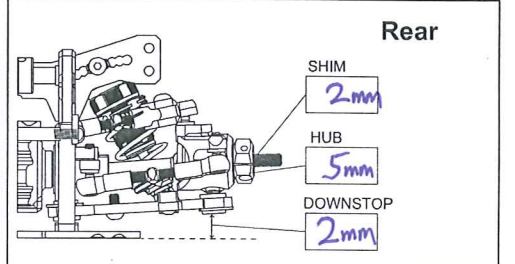
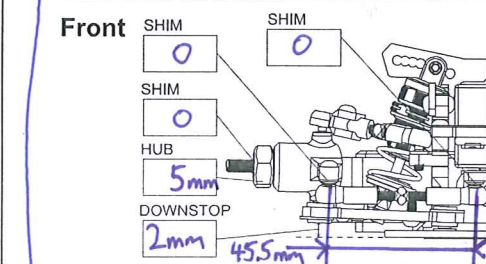
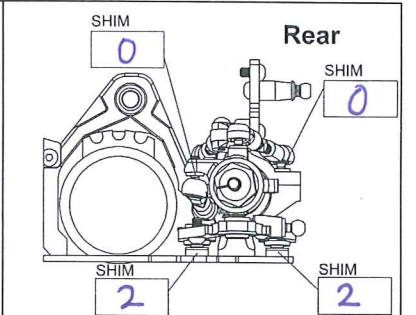
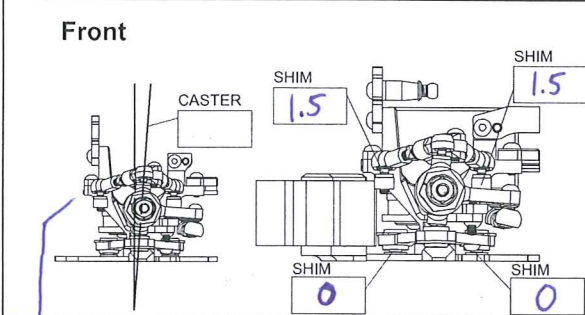
Front	Wheel / Tires	Rear
<u>XP-40033 (36R)</u>	Tires	<u>XP-40033 (36R)</u>
	Inserts	
<u>SPIDER Red</u>	Additive	<u>SPIDER Red</u>
<u>8min</u>	Additive Timing	<u>8min</u>



Memo:

Other
 Body: BLITZ JAZZ Wing: Touring Car SIZE
 Gyro: _____
 Memo:

Memo:



Memo:

