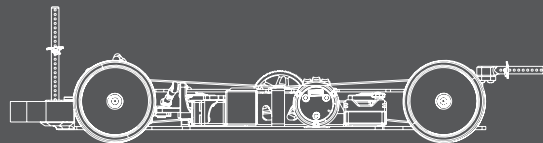


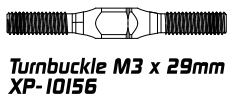
XPRESS
www.rc-xpress.com

EXEQUITE
XQBS
1110 SPORT TOURING CAR

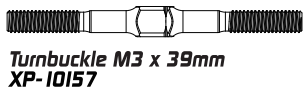
INSTRUCTION MANUAL



Bag A and J



Turnbuckle M3 x 29mm
XP-10156



Turnbuckle M3 x 39mm
XP-10157



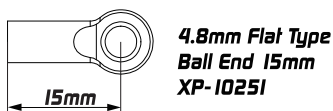
Turnbuckle M3 x 18mm
XP-10157



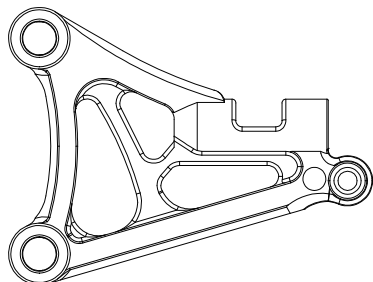
Steel Camberlink
Turnbuckle 19mm
XP-11066



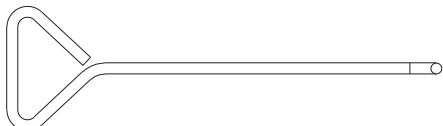
4.8mm Ball End 6mm Thread
XP-10237



4.8mm Flat Type
Ball End 15mm
XP-10251



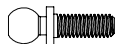
Soft Composite Upper Arm
XP-11090



Camberlink adjustment wrench
XP-40263

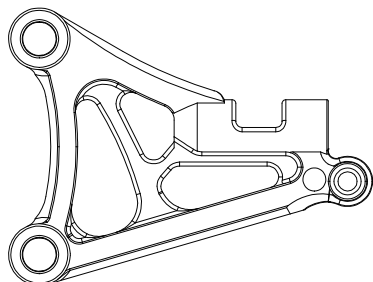


Hex Screw Cup Head M3 x 10mm
XP-40625



4.8mm Ball End 8mm Thread
XP-10238

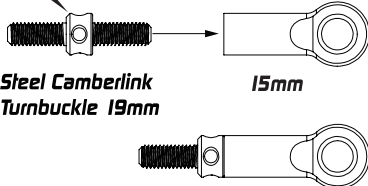
Option



Hard Composite Upper Arm
XP-11130

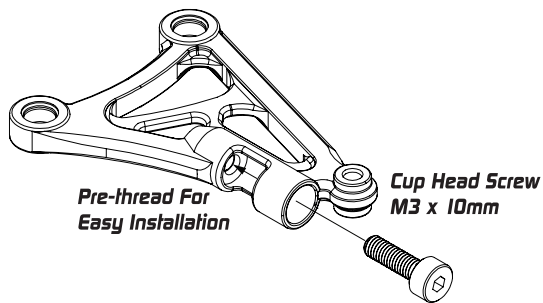
4X For Upper Arm

Direction



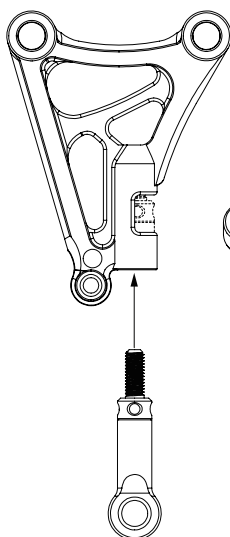
Steel Camberlink
Turnbuckle 19mm

15mm

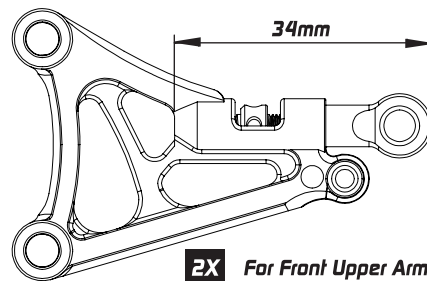


Pre-thread For
Easy Installation

Cup Head Screw
M3 x 10mm

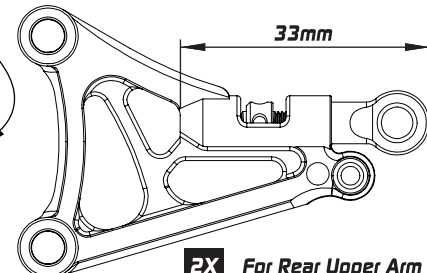


Camberlink adjustment
wrench



34mm

2X For Front Upper Arm

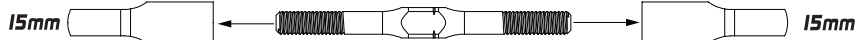


33mm

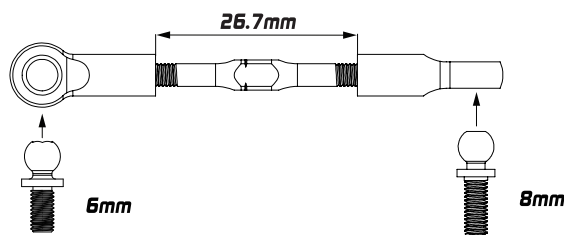
2X For Rear Upper Arm

2X

Turnbuckle M3 x 39mm



For Front Steering Block



26.7mm

6mm

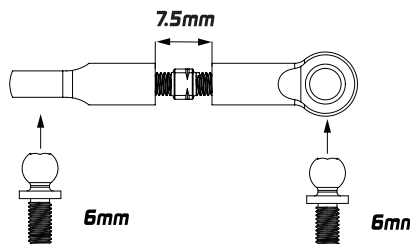
8mm

1X

Turnbuckle M3 x 18mm



For Servo



7.5mm

6mm

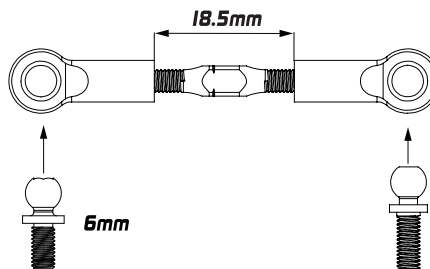
6mm

2X

Turnbuckle M3 x 29mm



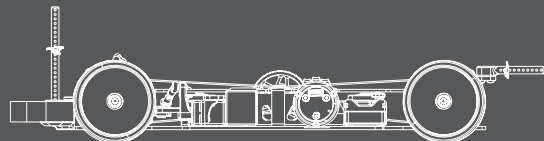
For Rear Steering Block



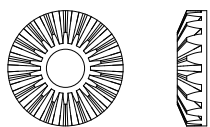
18.5mm

6mm

8mm



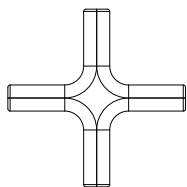
Bag B , Bearing and Oil Bag



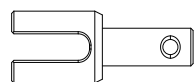
Bevel Gears 18T
XP-10009



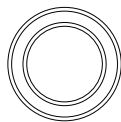
Bevel Gears 10T
XP-10009



Gear Diff Cross Pin
XP-10009



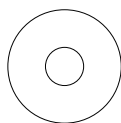
Steel Gear Diff Outdrive Adaptor
XP-10288
Optional XP-11016



Bearing 10 x 15 x 4mm
XP-40065



Pin 2 x 9.8mm
XP-40069



Spacer 5 x 15 x 0.4mm
XP-10181



Spacer 3.6 x 9.5 x 0.2mm
XP-10182



O-ring 5 x 2mm
XP-10184

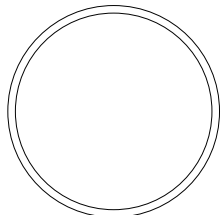
Optional



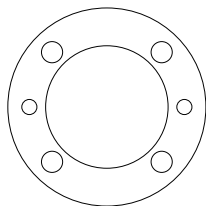
Silicone Gear Differential X-RING 5x2mm
XP-10600



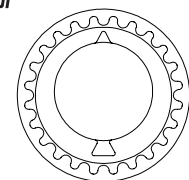
Flat Head Screw M2.5 x 8mm
XP-40044



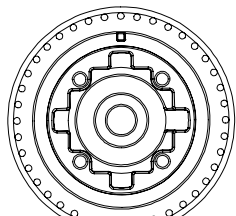
O-ring 25 x 1mm
XP-10183



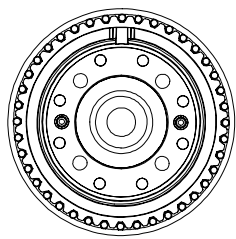
Diff Gasket
XP-10179



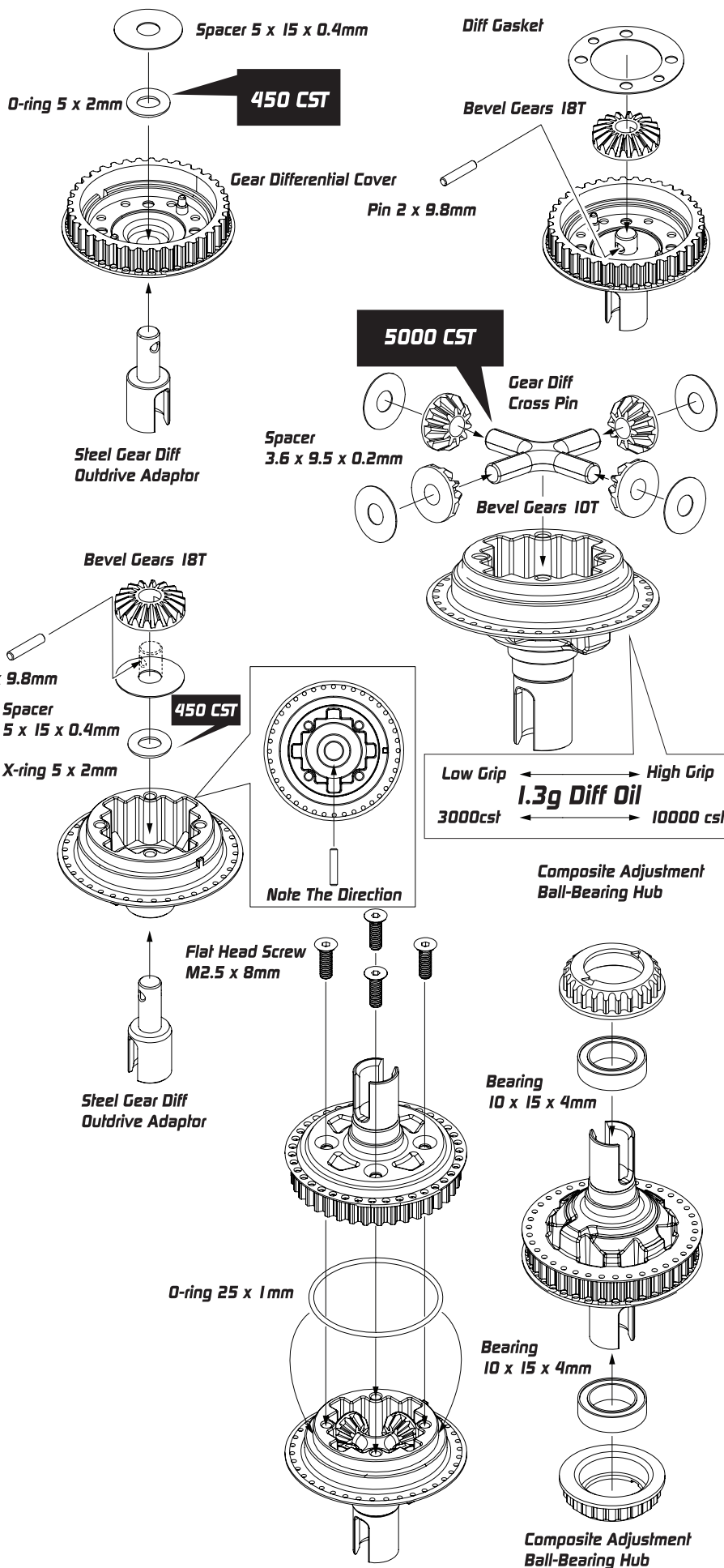
Composite Ball Bearing Hub 2pcs
XP-11093

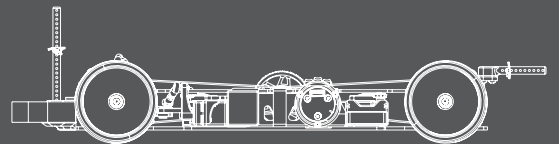


Gear Differential Case V2
XP-11133

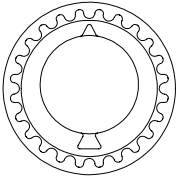


Gear Differential Cover V2
XP-11133

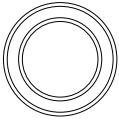




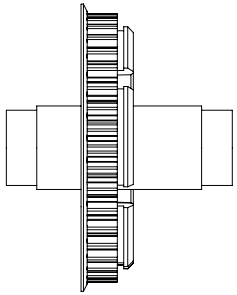
Bag C and Bearing Bag



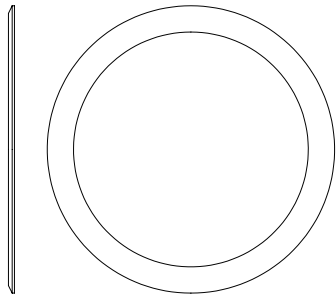
Composite Ball Bearing Hub 2pcs
XP-11093



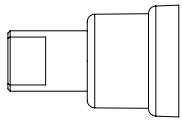
Bearing 10 x 15 x 4mm
XP-40065



Composite Spool 38T
XP-11094



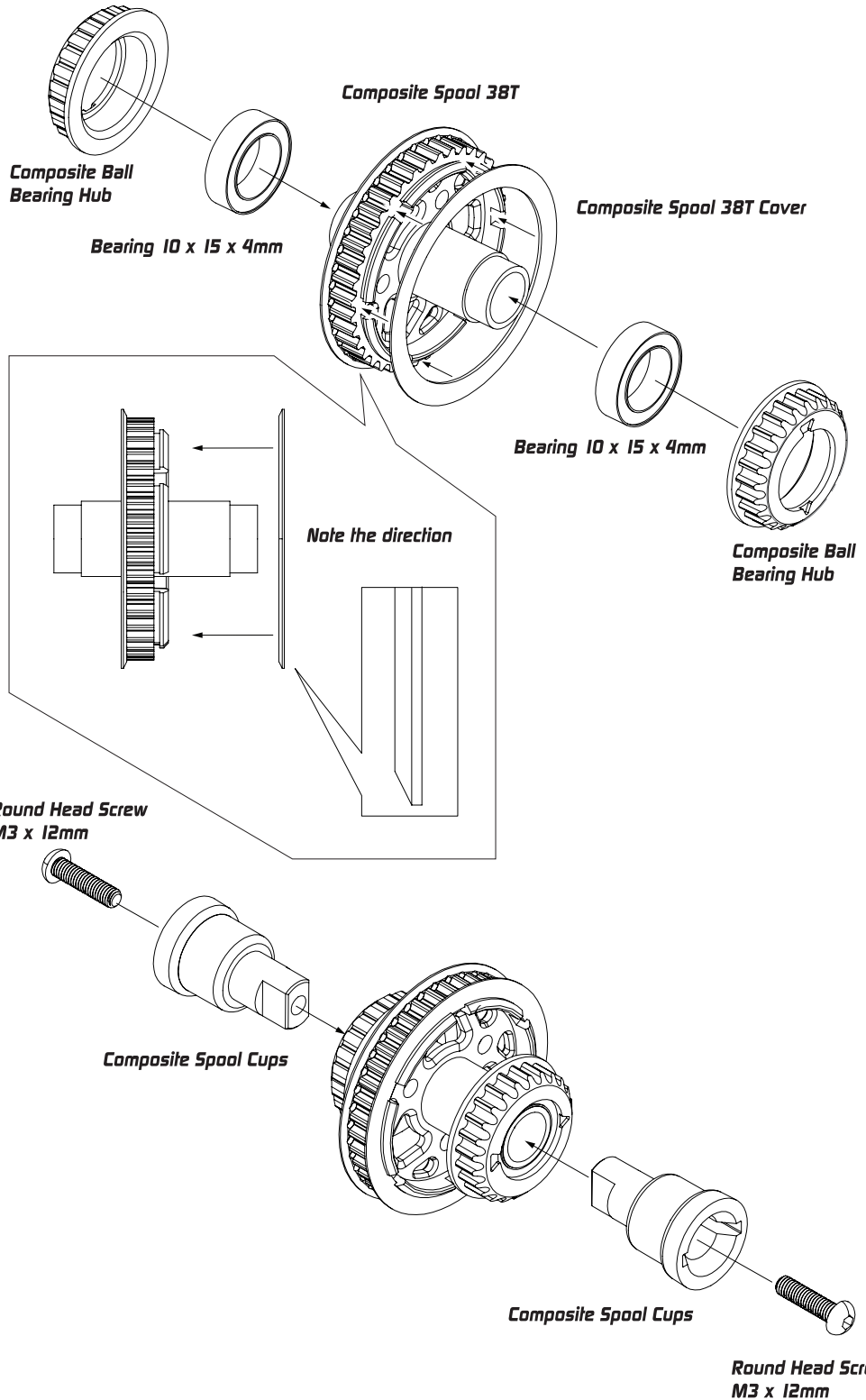
Composite Spool 38T Cover
XP-11094

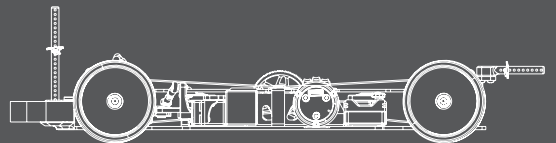


Composite Spool Cups
XP-10265
Optional XP-11083 , XP-10921

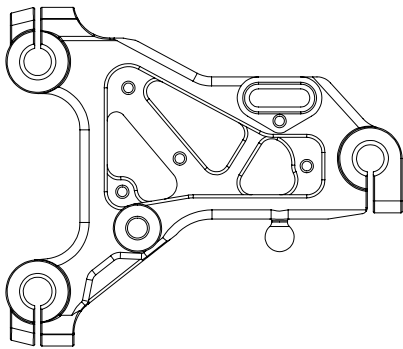


Round Head Screw M3 x 12mm
XP-40040

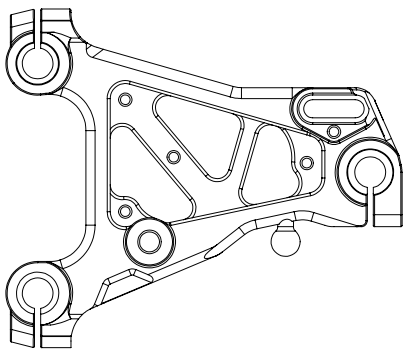




Bag D and HW Bag

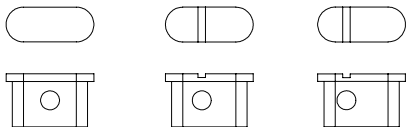


Soft Composite Suspension Arm Front
XP-11087



Soft Composite Suspension Arm Rear
XP-11087

0mm +1mm / -1mm +2mm / -2mm



Soft Composite Suspension Insert
XP-11087

- 6mm Ball Stud For Steering Block
XP-11068
Optional: XP-11126
- 6mm Ball Stud For Suspension Arms
XP-11064
Optional: XP-11127

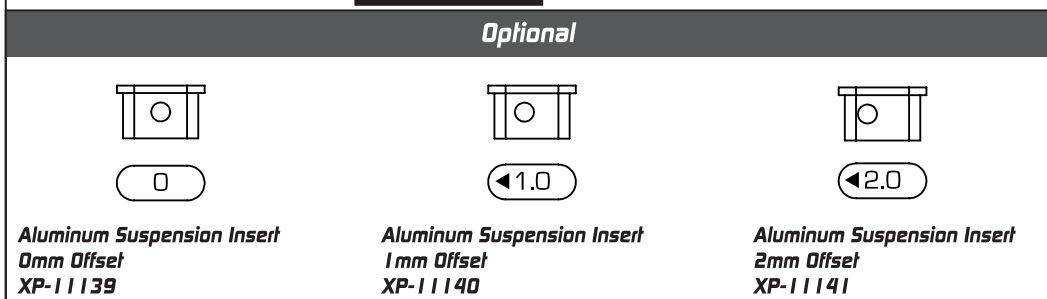
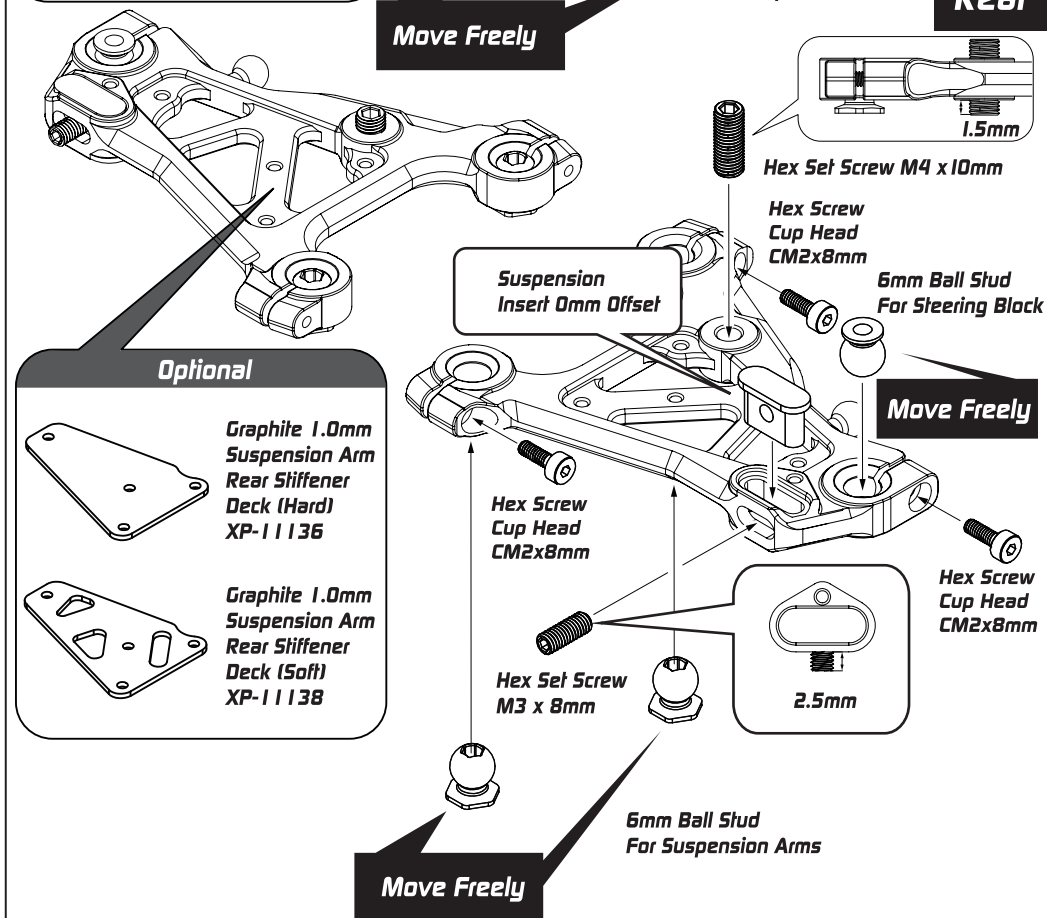
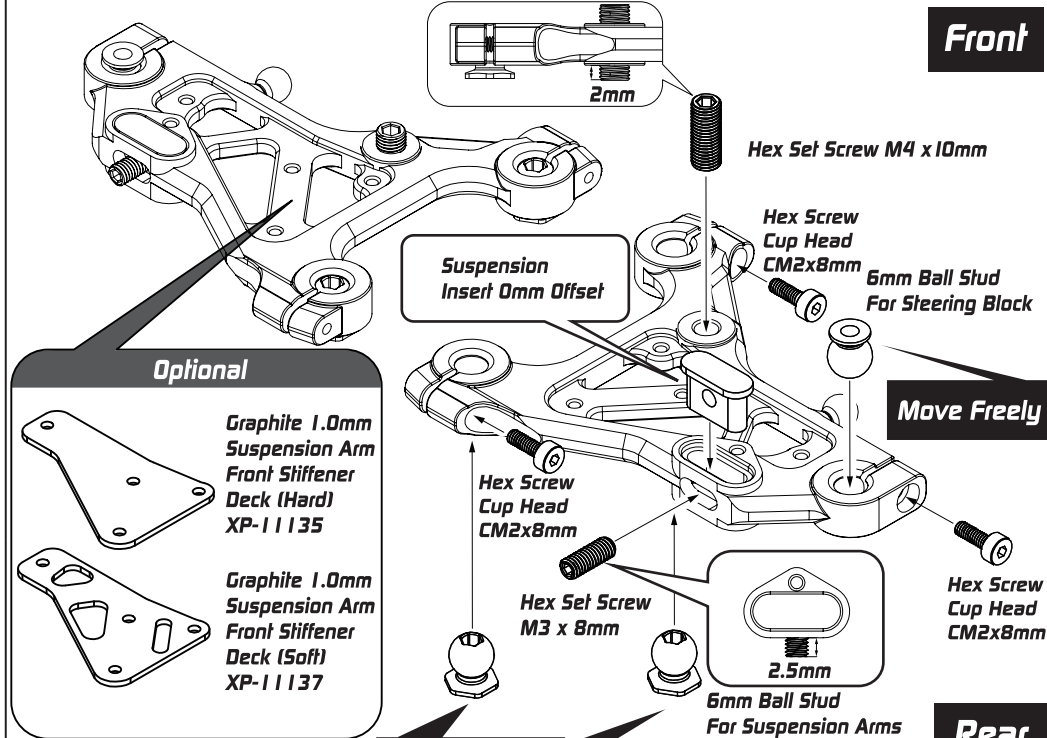
Hex Screw Cup Head CM2x8mm
XP-40258

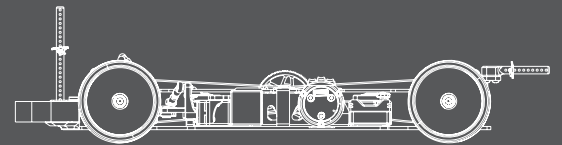
Hex Set Screw M4 x 10mm
XP-40056

Hex Set Screw M3 x 8mm
XP-40054

Optional

Hard Composite Suspension Arm Set
XP-11132





Bag A , E , N and HW Bag

Round Head Screw M3 x 8mm
XP-40038

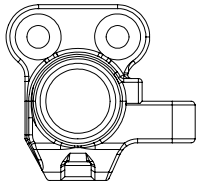
Flat Head Screw M3 x 10mm
XP-40049

Composite Shim 3 x 5.5 x 2mm
XP-11120

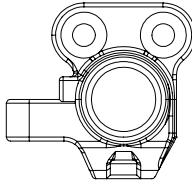
4.8mm Ball Stud 8mm Thread
XP-10238

Hex Set Screw M3 x 2mm
XP-40051

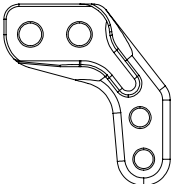
Steel 2 x 12mm Flatspot Pin
For Universal
XP-40071



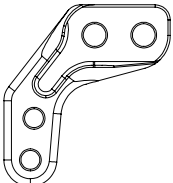
Soft Composite Steering
Block Left XP-11092
Optional :
XP-11131 (Hard)
XP-11116 (Aluminum)



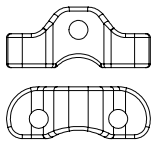
Soft Composite Steering
Block Right XP-11092
Optional :
XP-11131 (Hard)
XP-11117 (Aluminum)



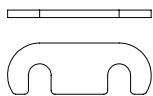
Composite Knuckle Plate A
XP-11092
Optional : XP-11082



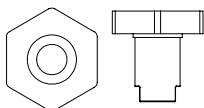
Composite Knuckle Plate B
XP-11092
Optional : XP-11082



Soft Composite Upright
Mount XP-11092
Optional :
XP-11131 (Hard)
XP-11118 (Aluminum)



Soft Composite Upright
Mount Spacer 1mm
XP-11092



Aluminum Wheel Hub
XP-11078
Optional :
XP-11097 (+1mm)



Wheel Hub C Clip
XP-11119

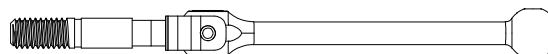


Brass Shim 6 x 7.5 x 2.5mm
XP-11085



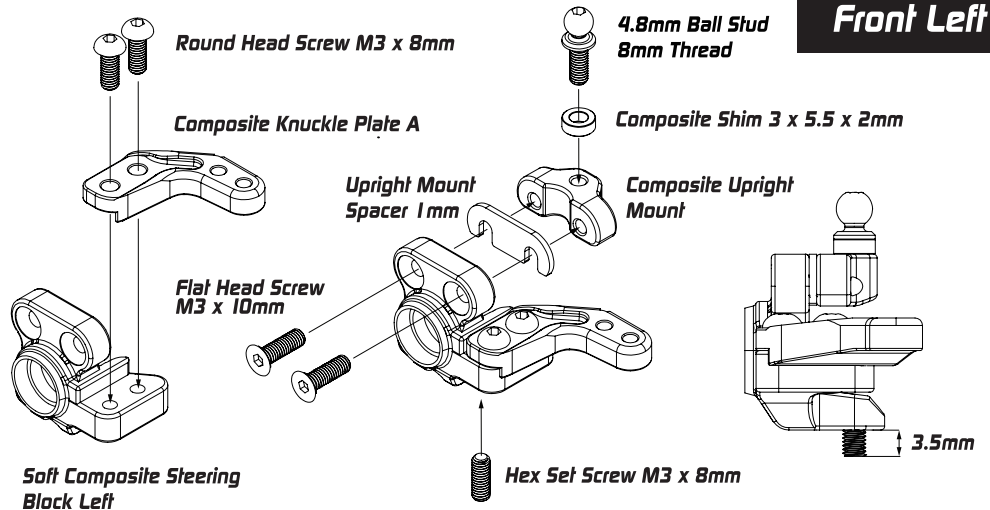
Ball Bearing 6x10x3mm
XP-40250

Hex Set Screw M3 x 8mm
XP-40054

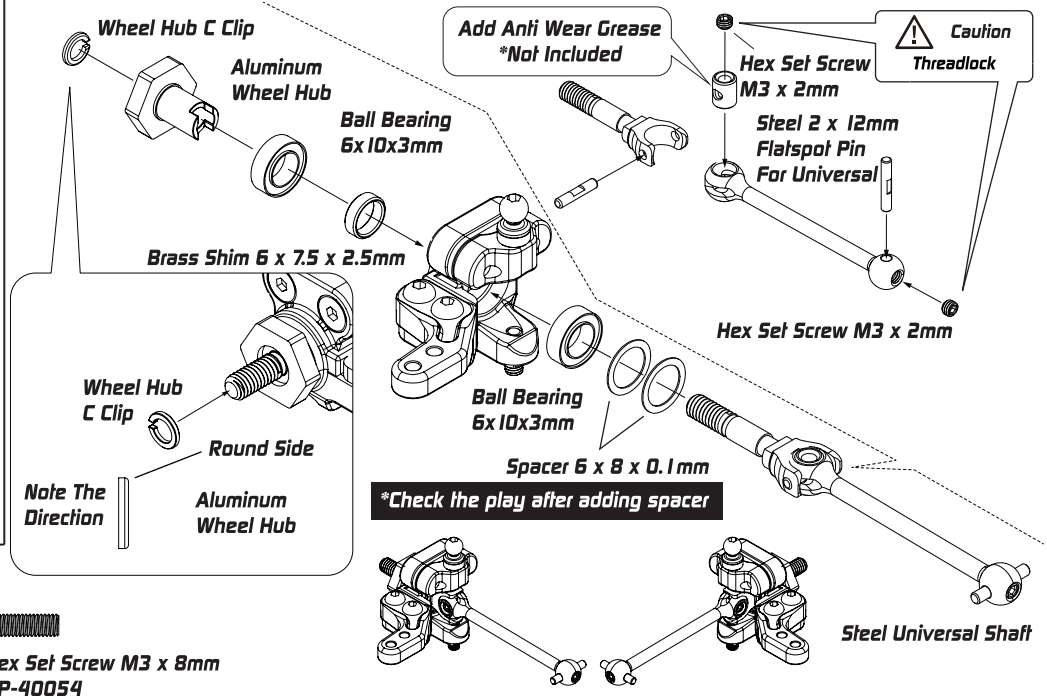
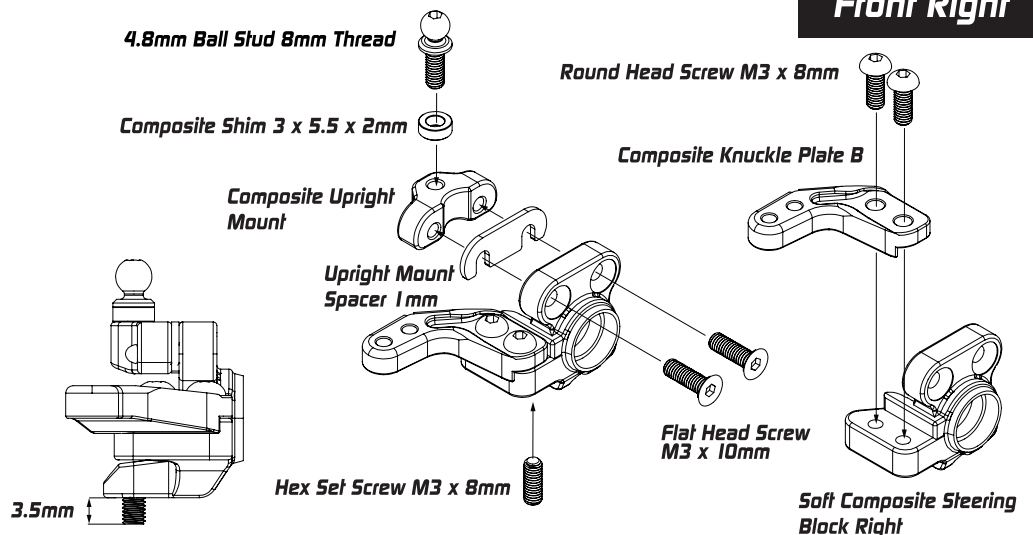


Steel Universal Shaft Rear XP-11070

Front Left

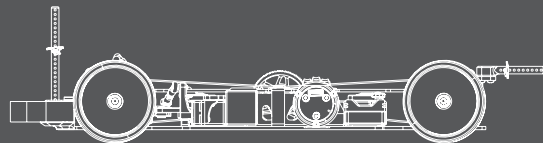


Front Right



*Assemble left and right in the same way

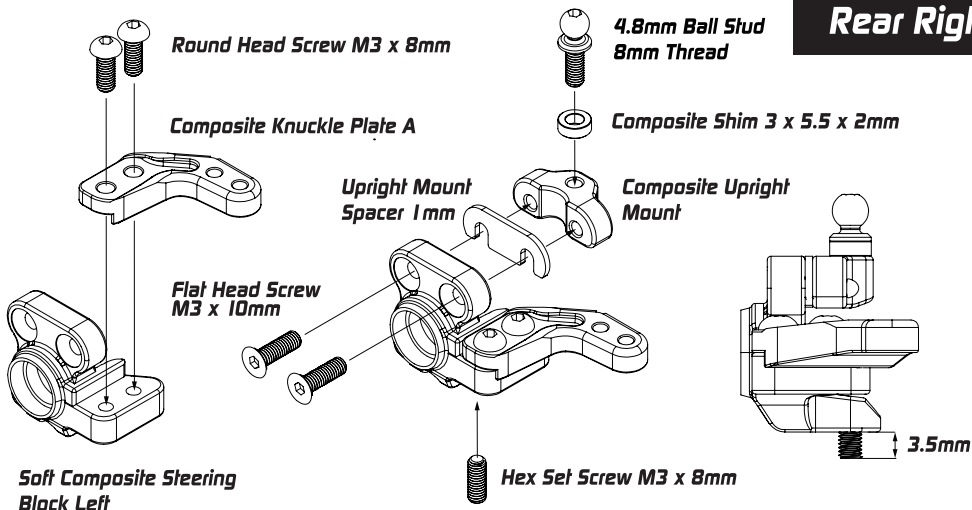
Spacer 6 x 8 x 0.1mm
XP-40259



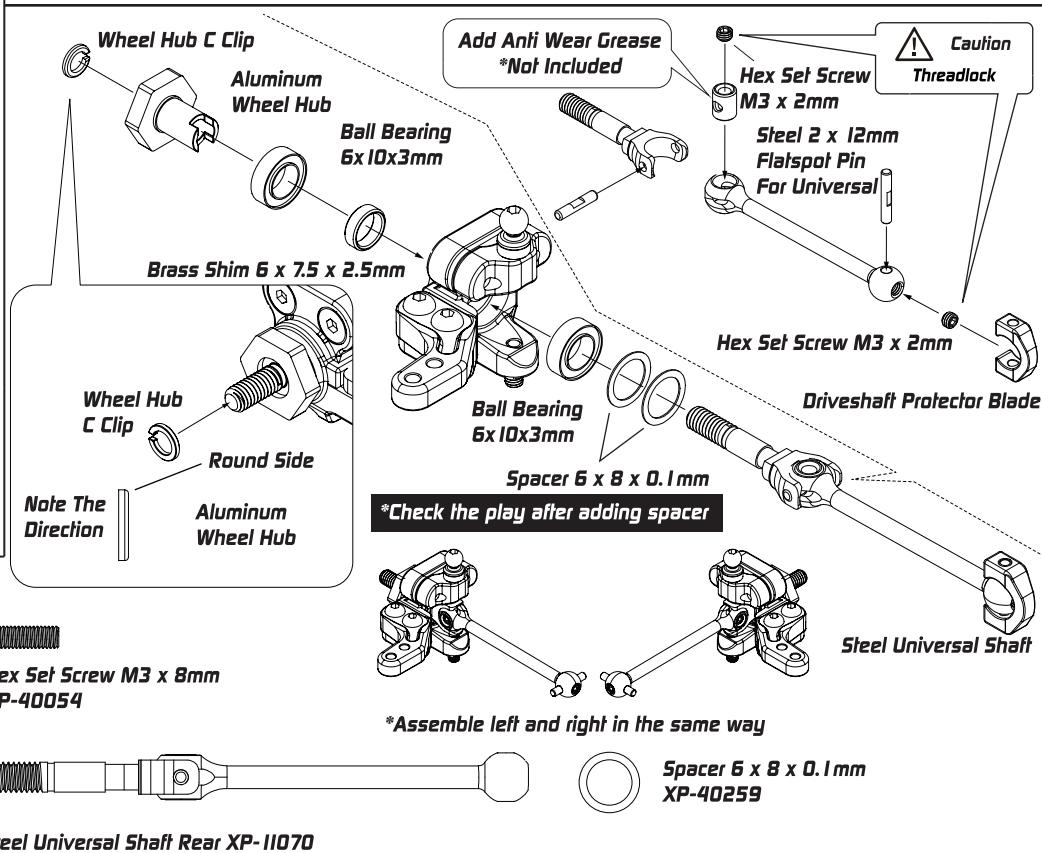
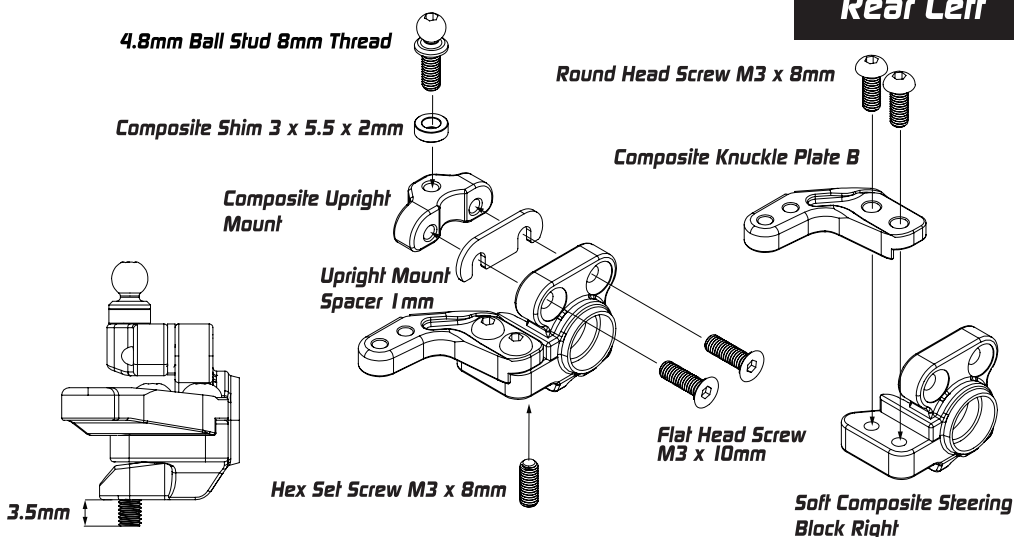
Bag A , F , N and HW Bag

- Round Head Screw M3 x 8mm**
XP-40038
- Flat Head Screw M3 x 10mm**
XP-40049
- Composite Shim 3 x 5.5 x 2mm**
XP-11120
- 4.8mm Ball Stud 8mm Thread**
XP-10238
- Hex Set Screw M3 x 2mm**
XP-40051
- Steel 2 x 12mm Flatspot Pin For Universal**
XP-40071
- Driveshaft Protector Blade**
XP-10128
- Soft Composite Steering Block Left** XP-11092
Optional : XP-11131 (Hard)
XP-11116 (Aluminum)
- Soft Composite Steering Block Right** XP-11092
Optional : XP-11131 (Hard)
XP-11117 (Aluminum)
- Composite Knuckle Plate A**
XP-11092
Optional : XP-11082
- Composite Knuckle Plate B**
XP-11092
Optional : XP-11082
- Soft Composite Upright Mount** XP-11092
Optional : XP-11131 (Hard)
XP-11118 (Aluminum)
- Soft Composite Upright Mount Spacer 1mm**
XP-11092
- Aluminum Wheel Hub** XP-11078
Optional : XP-11097 (+1 mm)
- Wheel Hub C Clip**
XP-11119
- Brass Shim 6 x 7.5 x 2.5mm**
XP-11085
- Ball Bearing 6x10x3mm**
XP-40250

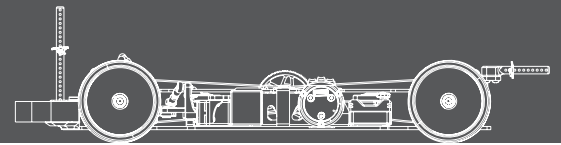
Rear Right



Rear Left



Steel Universal Shaft Rear XP-11070



Optional

 Aluminum Anti-Roll Bar Ball
XP-10818

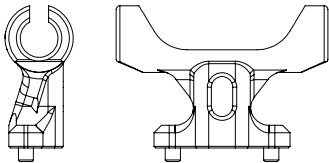
 Anti-Roll Bar Ball Joint
XP-10883

 Set Screw M3 x 2mm
XP-40051

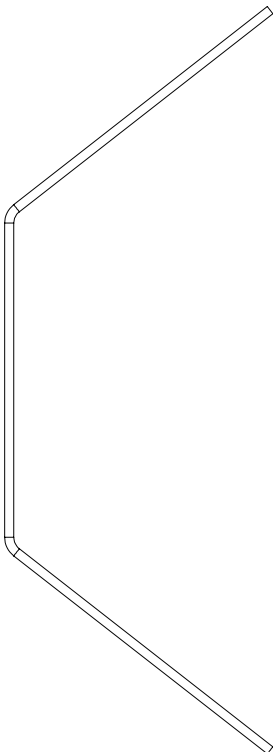
 Set Screw M3 x 3mm
XP-40052

 Bearing 3 x 6 x 2.5mm
XP-40060

 Alu Anti-Roll Bar Bushing V2
XP-11049



Composite Anti-Roll Bar Mount
XP-11079



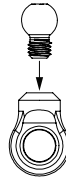
Anti-Roll Bar 1.2mm F/R
XP-11014

Optional :
Anti-Roll Bar 1.1mm F/R
XP-11013

Anti-Roll Bar 1.3mm F/R
XP-11015

4X

Aluminum Anti-Roll Bar Ball



Anti-Roll Bar Ball Joint



2X

Alu Anti-Roll Bar Bushing V2

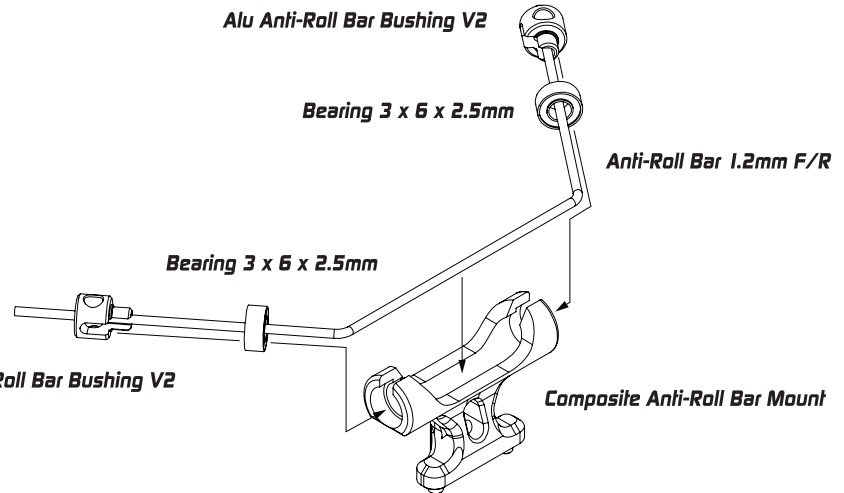
Bearing 3 x 6 x 2.5mm

Anti-Roll Bar 1.2mm F/R

Bearing 3 x 6 x 2.5mm

Alu Anti-Roll Bar Bushing V2

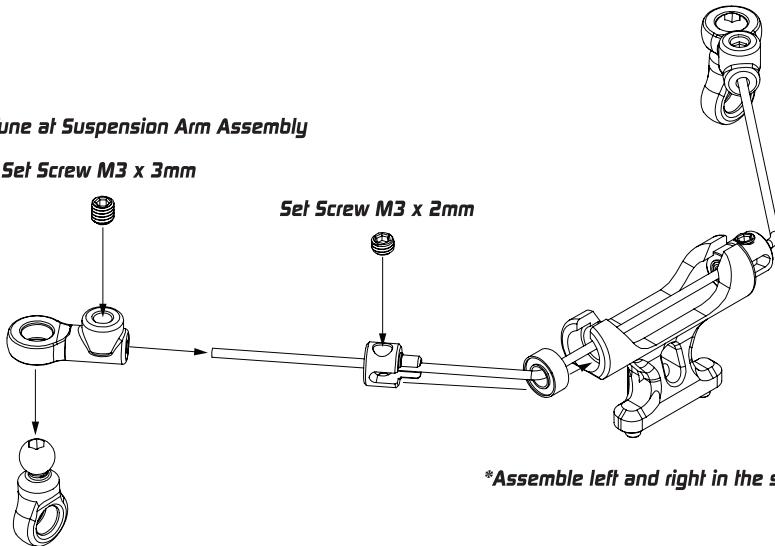
Composite Anti-Roll Bar Mount



*Fine Tune at Suspension Arm Assembly

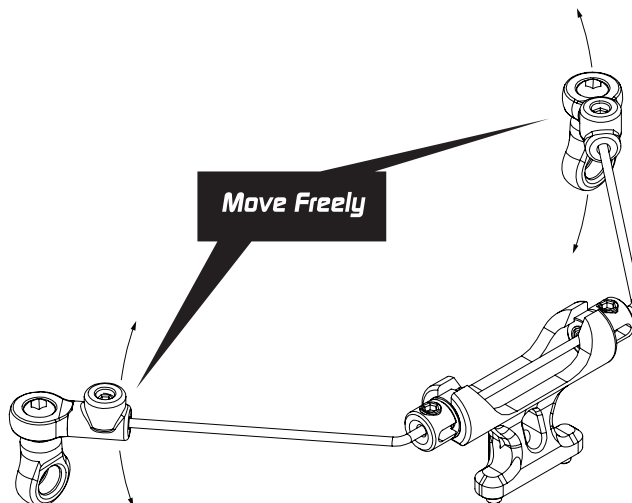
Set Screw M3 x 3mm

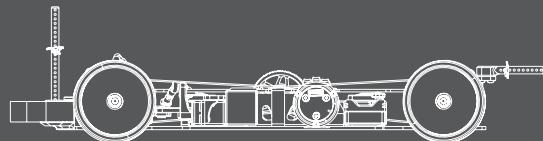
Set Screw M3 x 2mm



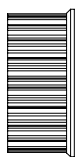
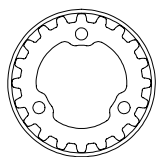
*Assemble left and right in the same way

Move Freely





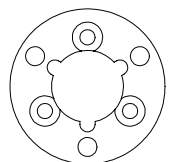
Bag G, N, Bearing and HW Bag



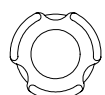
Composite Center Pulley 20T
XP-11009



Steel Center Pulley Post
XP-11075



Aluminum Center Pulley Adaptor
XP-11153



Composite Adaptor Center Pulley 20T
XP-11166



Flat Head Hex Screw M2 x 8mm
XP-40260



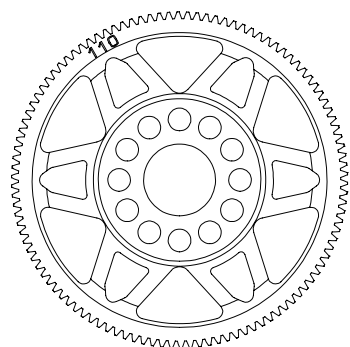
Ball Bearing 4 x 8 x 3mm
XP-40249



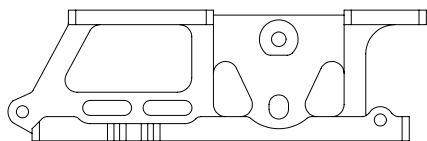
Ball Bearing 6 x 10 x 3mm
XP-40250



Hex Screw Round Head 2.5 x 4mm
XP-40248



High Composite Spur Gear 64P 110T
XP-40083



Aluminum Motor Mount
XP-11152



Composite Shim 3 x 5.5 x 2mm
XP-11120



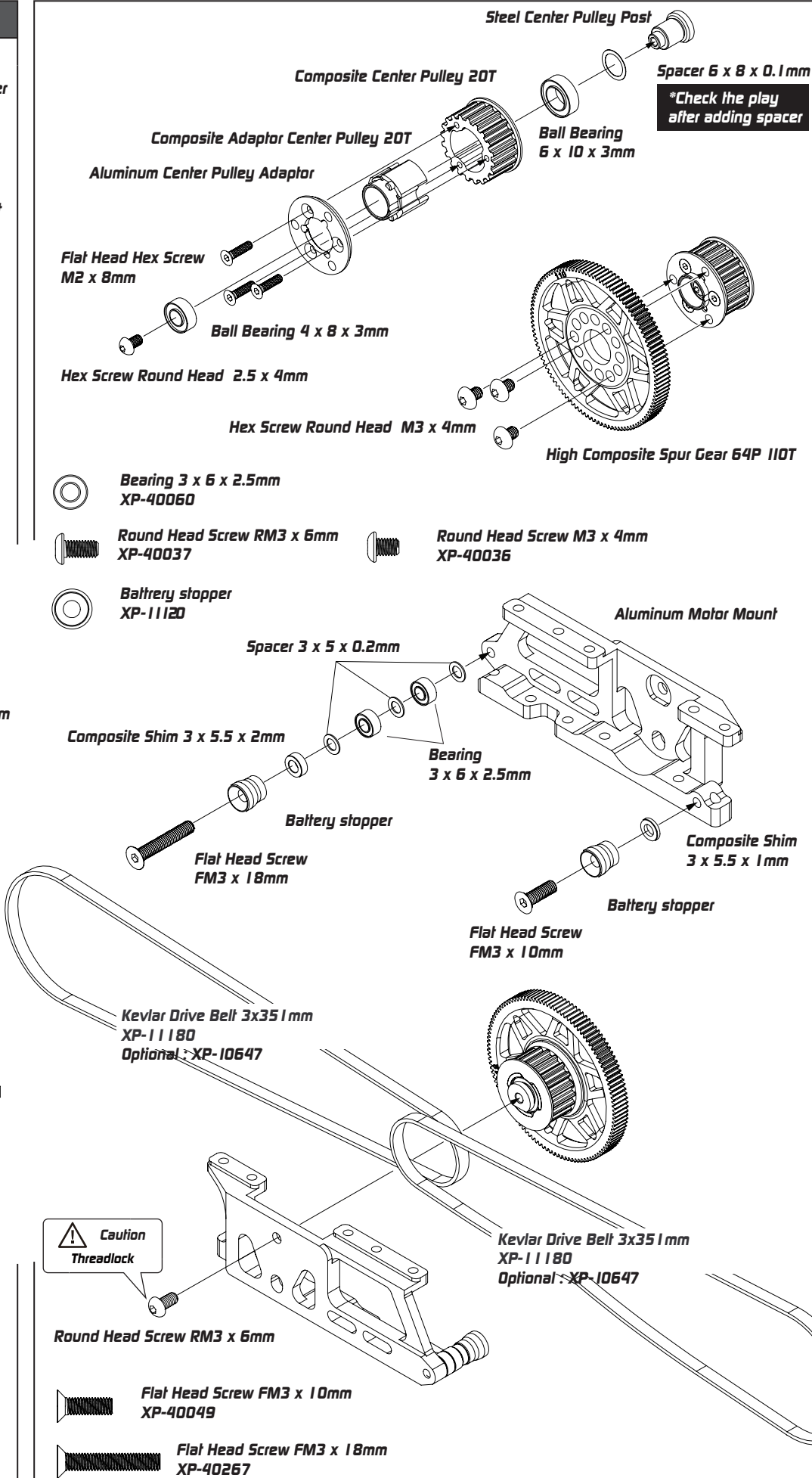
Composite Shim 3 x 5.5 x 1mm
XP-11120

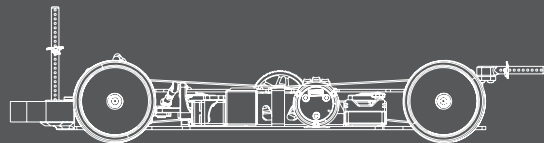


Spacer 3 x 5 x 0.2mm
XP-40066






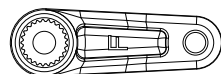
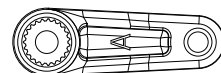
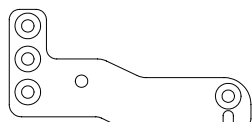
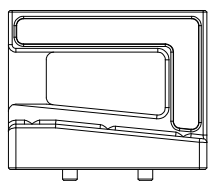
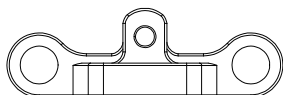
Spacer 6 x 8 x 0.1mm
XP-40259





Bag H, N, Bearing and HW Bag

-  Flat Head Screw FM3 x 8mm XP-40048
-  Round Head Screw RM3 x 6mm XP-40037
-  Round Head Screw RM3 x 8mm XP-40038



2X

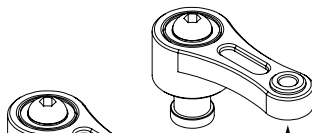
Round Head Screw RM3 x 6mm

Bearing 5 x 8 x 2.5mm

Composite Steering Arm

Bearing 5 x 8 x 2.5mm

Steel Steering Post For Dual Servo Saver



Thin Head Hex Screw M3 x 6mm

Move Freely

FRP 3.0mm Floating Servo Holder

Thin Head Hex Screw M3 x 6mm

Composite Servo Mount A

Composite Servo Mount B

Servo Not Included

Composite Countersunk Servo Shim

Flat Head Screw FM3 x 8mm

Servo Horn

Composite Countersunk Servo Shim

From Servo Link

From Servo Link

4.8mm Ball End 6mm Thread

Composite Steering Plate

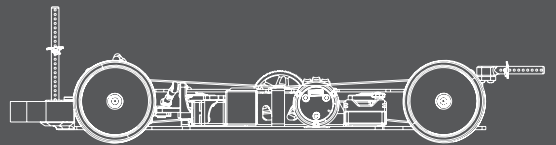
Composite Shim 3 x 5.5 x 1mm

Bearing 3 x 6 x 2.5mm
4.8mm Ball End 6mm Thread

From Front Steering Knuckle

Flat Head Screw FM3 x 8mm

Flat Head Screw FM3 x 8mm

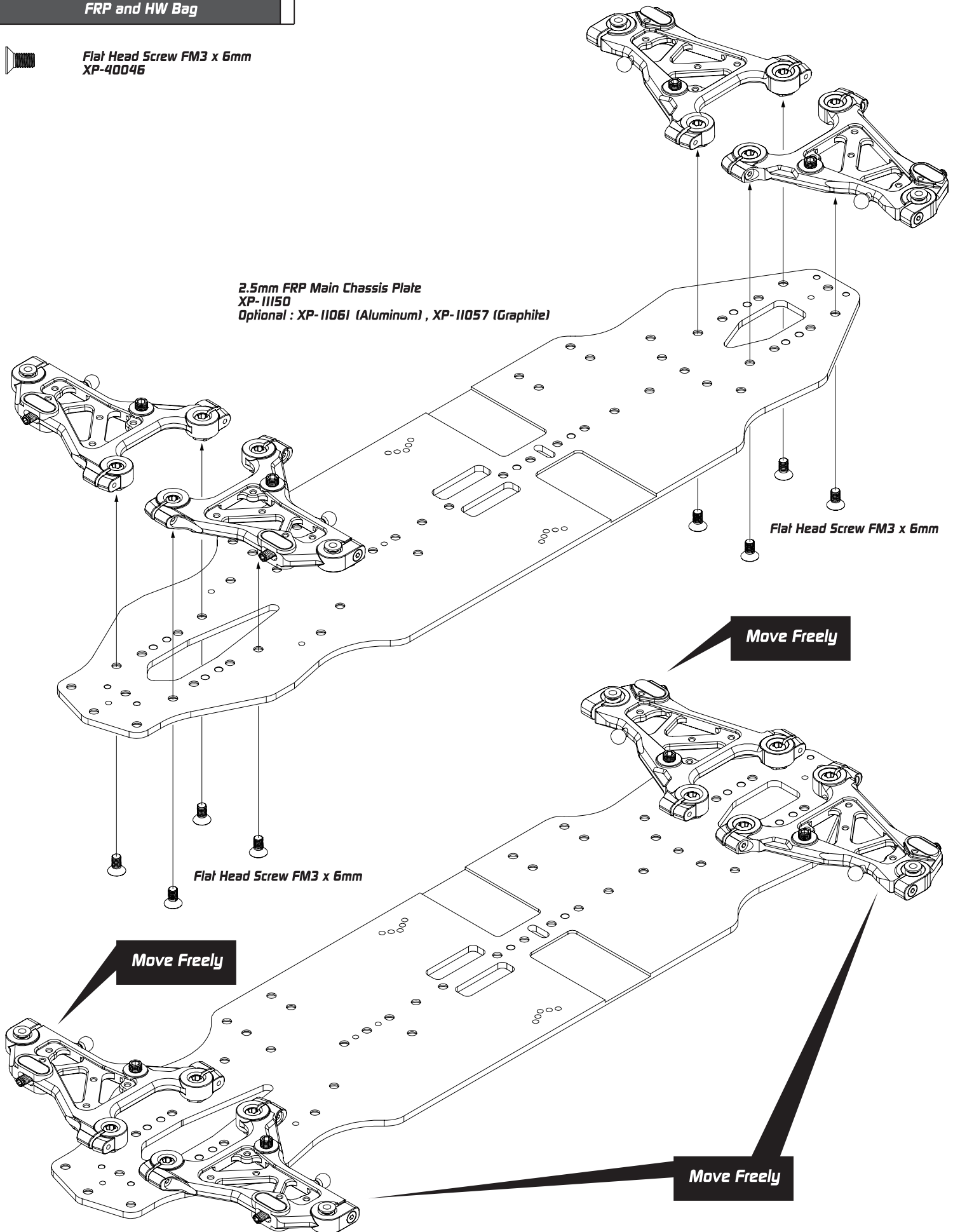


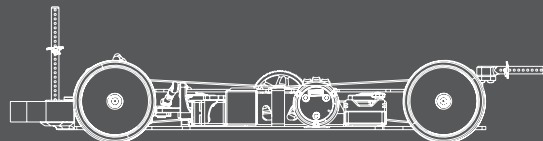
FRP and HW Bag



Flat Head Screw FM3 x 6mm
XP-40046

2.5mm FRP Main Chassis Plate
XP-11150
Optional : XP-11061 (Aluminum) , XP-11057 (Graphite)





Optional



Flat Head Screw FM3 x 6mm
XP-40046



Rear →

Note The Direction

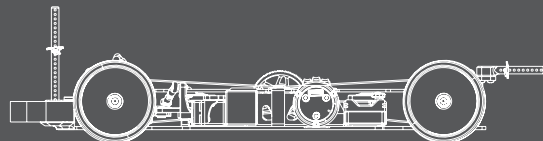
Flat Head Screw FM3 x 6mm

Move Freely

Flat Head Screw FM3 x 6mm

Move Freely

Move Freely

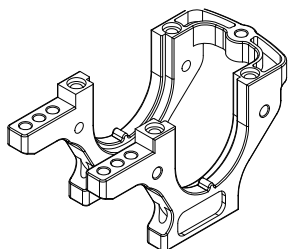


Bag I, M and HW Bag

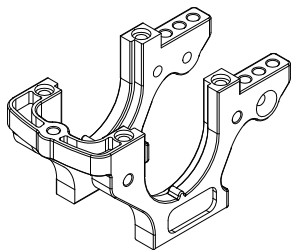
 **Flat Head Screw FM3 x 8mm**
XP-40048

 **Composite Shim 3 x 5.5 x 2mm**
XP-11120

 **4.8mm Ball End 8mm Thread**
XP-10238

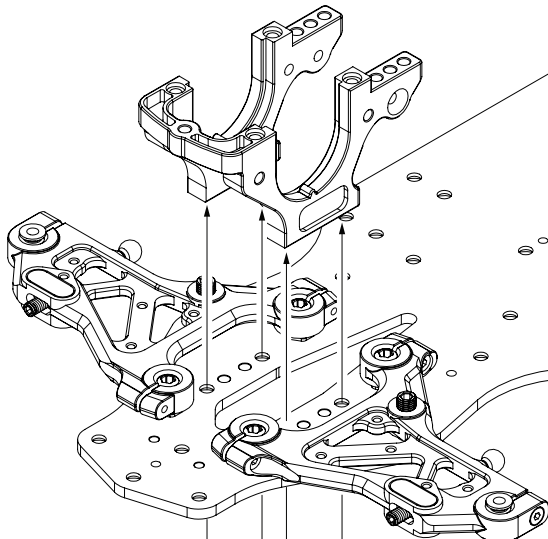


Composite One Piece Rear Bulkhead
XP-11155



Composite One Piece First Bulkhead
XP-11156

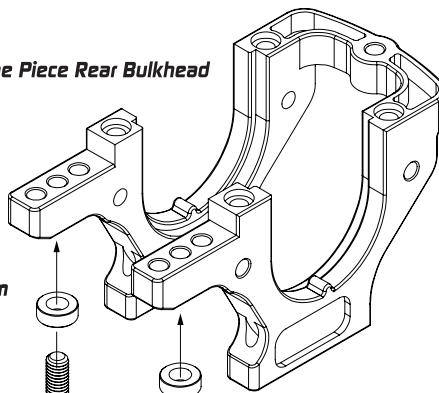
Composite One Piece Front Bulkhead



Flat Head Screw FM3 x 8mm

Composite One Piece Rear Bulkhead

Composite Shim 3 x 5.5 x 2mm

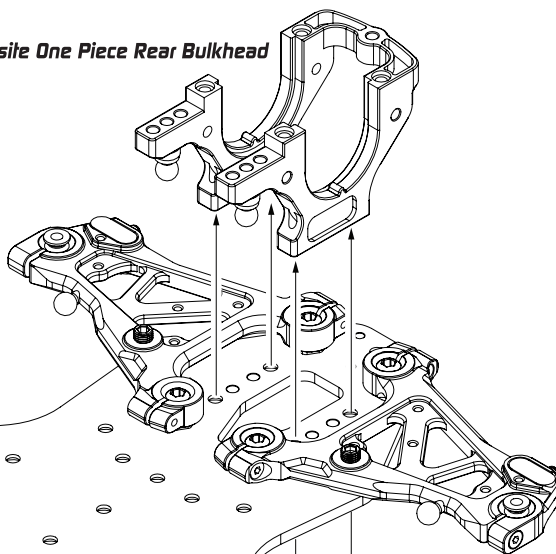


Composite Shim 3 x 5.5 x 2mm

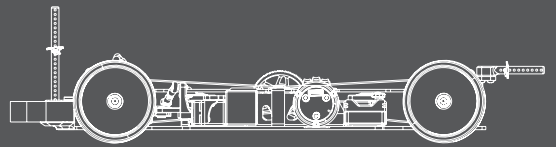
4.8mm Ball End 8mm Thread

From Rear Steering Block Link

Composite One Piece Rear Bulkhead



Flat Head Screw FM3 x 8mm



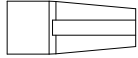
Bag I, N and HW Bag



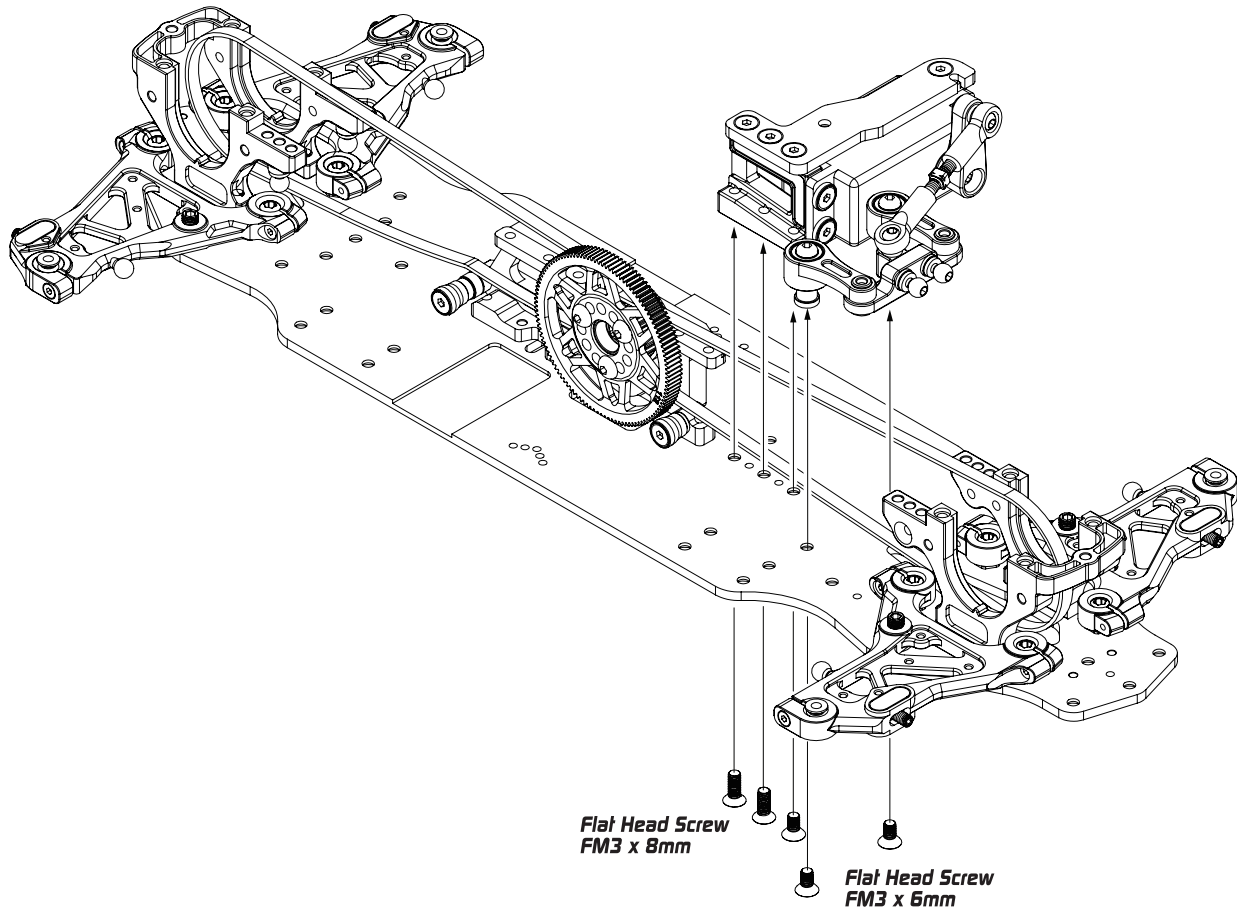
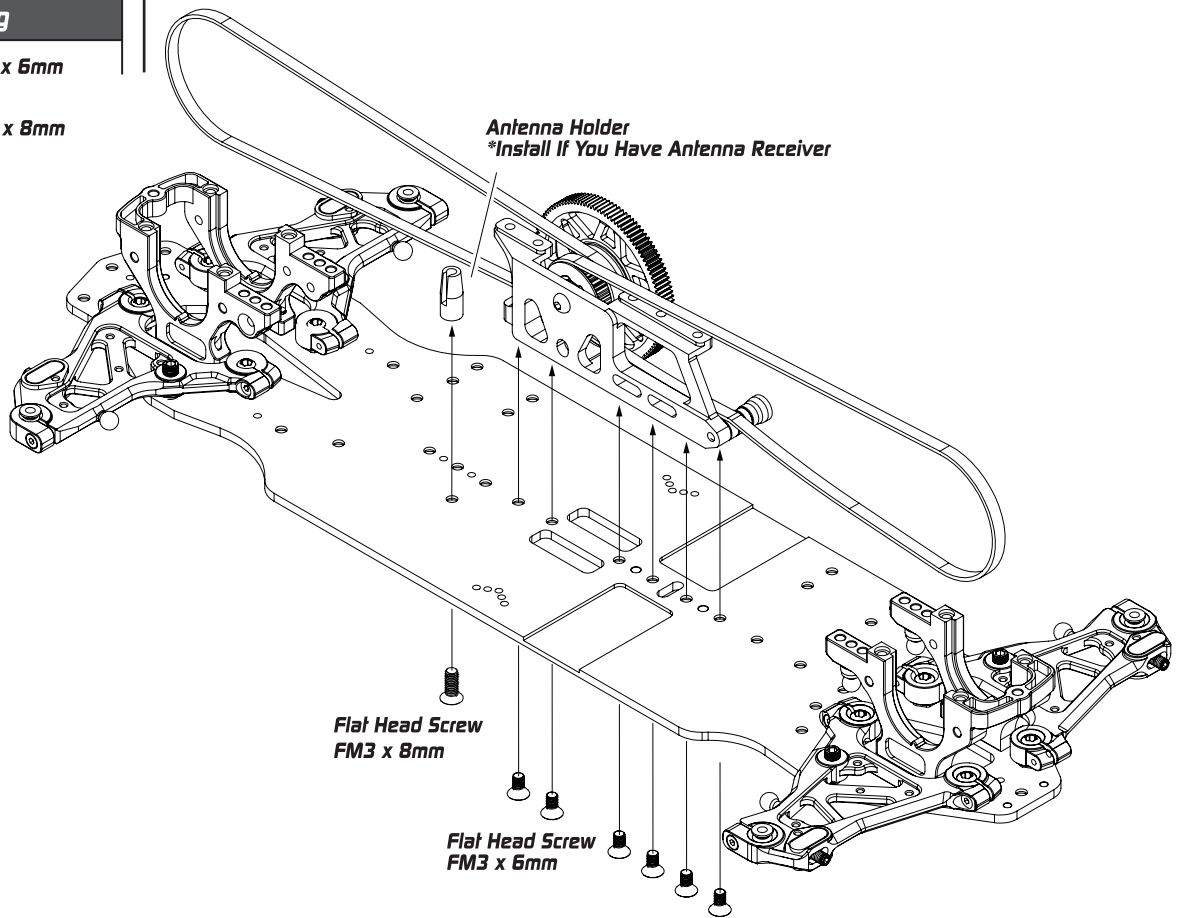
Flat Head Screw FM3 x 6mm
XP-40046

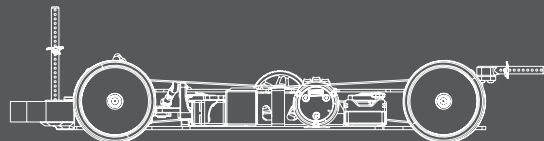


Flat Head Screw FM3 x 8mm
XP-40048



Antenna Holder XP-11120





Bag G, Bag I, Bag N, FRP and HW Bag

2.0mm FRP Top Deck
XP-11151

Round Head Screw M3 x 8mm
XP-40038

Top Deck Screw
XP-10989

Aluminum Center Post 17.5mm
XP-11171

Flat Head Screw FM3 x 8mm
XP-40048

Round Head Screw RM3 x 6mm
XP-40037

Composite Upper Deck Stiffener
XP-11120 Optional XP-10566

Flat Head Screw
FM3 x 6mm

Composite Upper Deck Collar
For Flex Elimination

Top Deck Screw

Round Head Screw
M3 x 8mm

2.0mm FRP Top Deck

Aluminum Center Post
17.5mm

Flat Head Screw FM3 x 8mm

Round Head Screw RM3 x 6mm

Composite Upper Deck Stiffener

Default Setup

2.0mm Graphite Top Deck
XP-11017

Optional

Optional

2.0mm Graphite Split Upper
Deck Front XP-11096

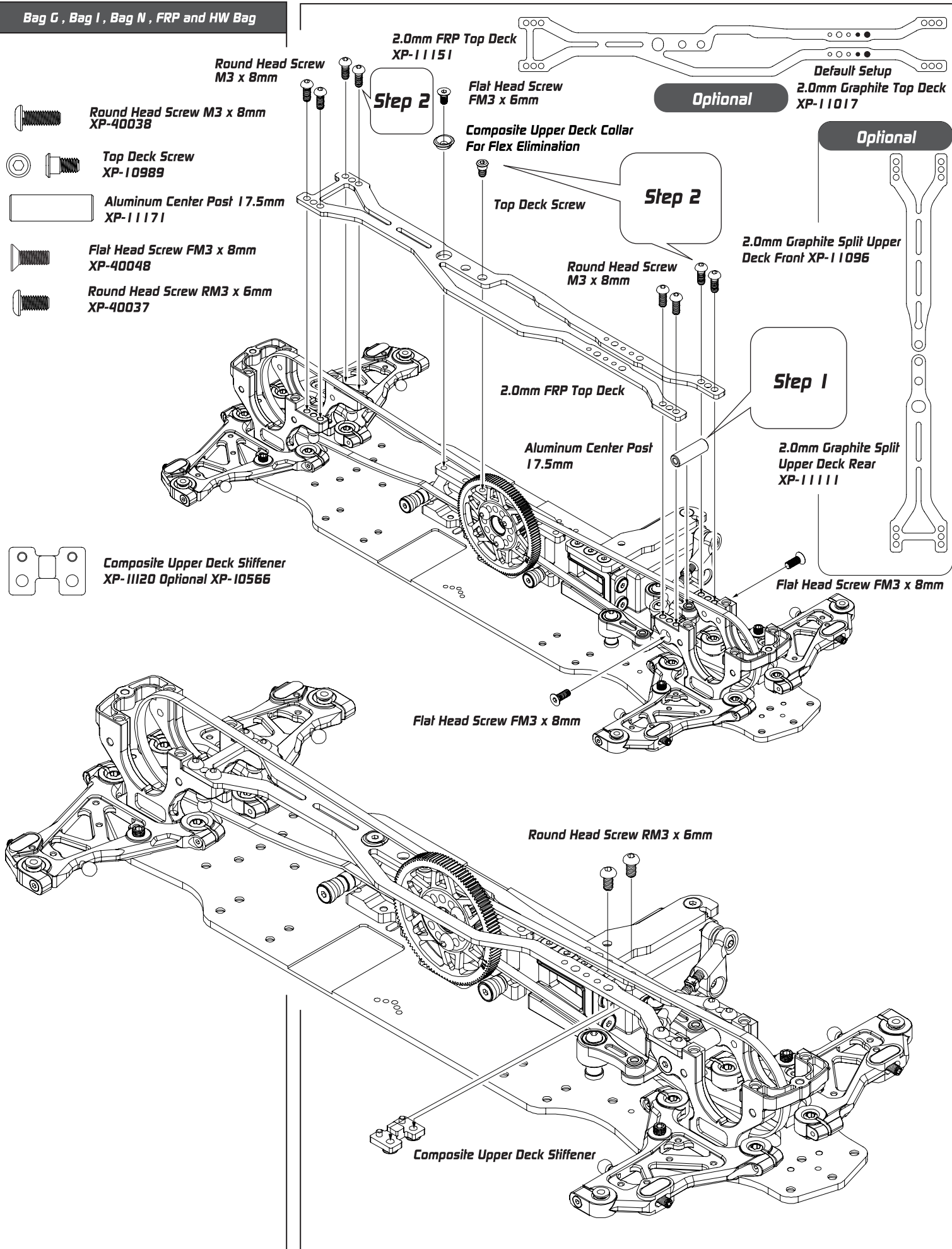
Step 1

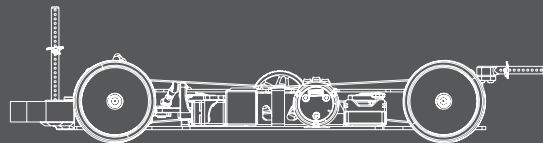
2.0mm Graphite Split
Upper Deck Rear
XP-11111

Flat Head Screw FM3 x 8mm

Step 2

Step 2





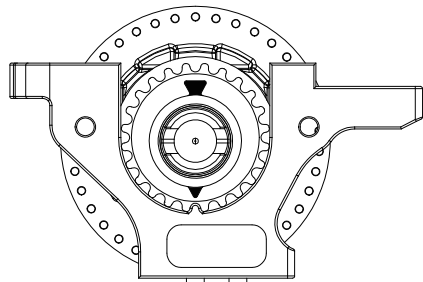
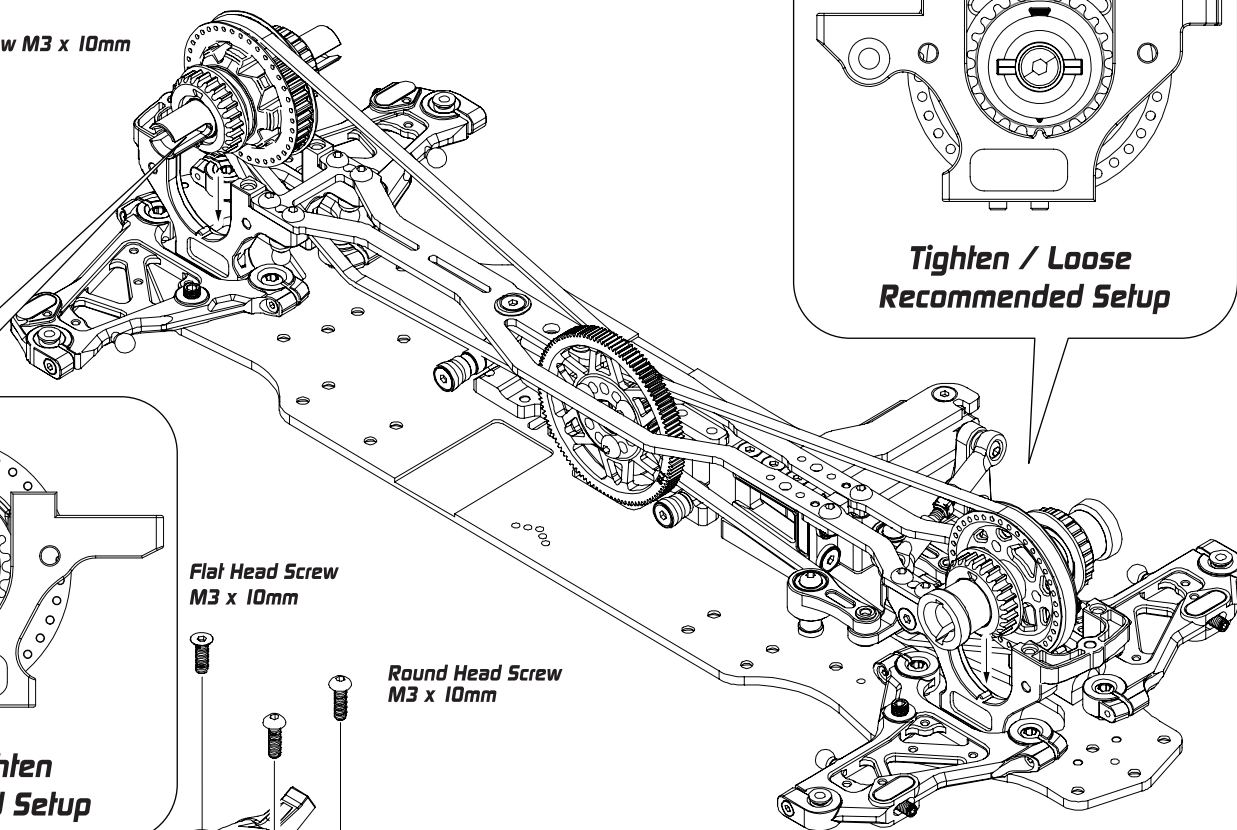
Bag I and HW Bag



Round Head Screw RM3 x 10mm
XP-40039



Flat Head Screw M3 x 10mm
XP-40049

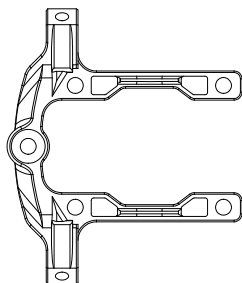


Loose / Tighten
Recommended Setup

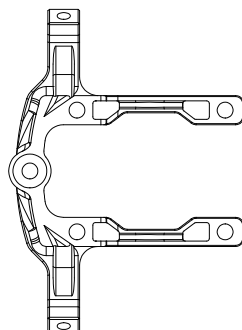
Flat Head Screw
M3 x 10mm

Round Head Screw
M3 x 10mm

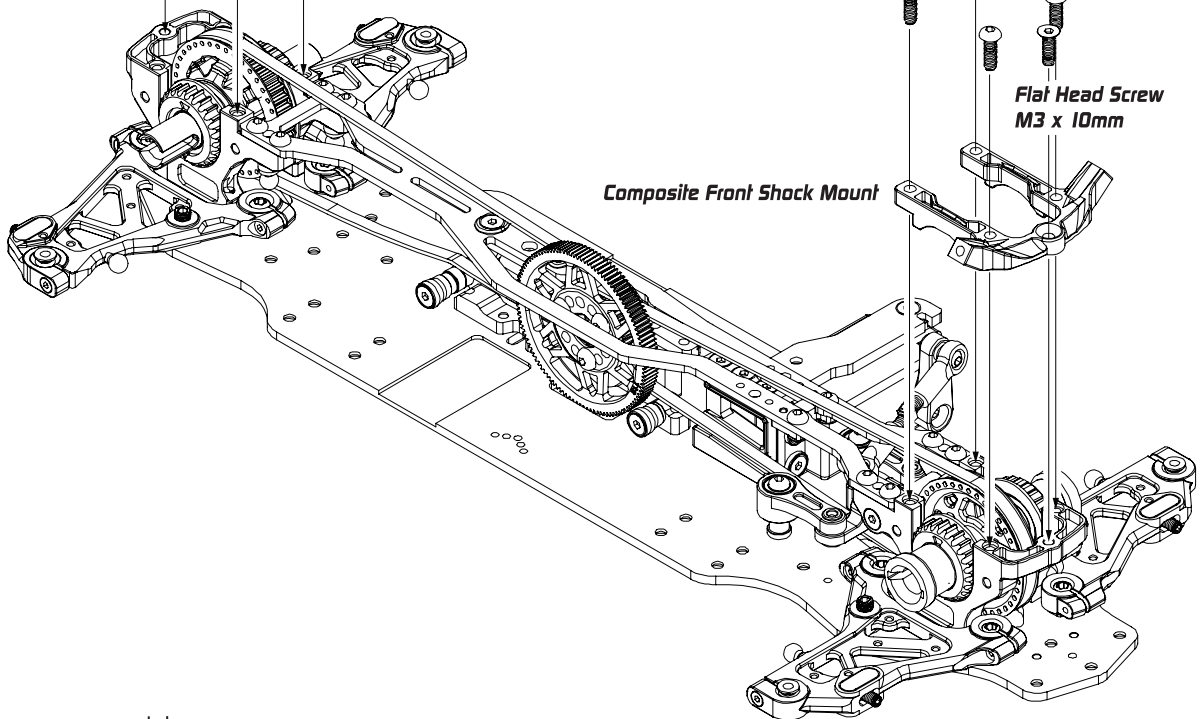
Composite Rear Shock Mount

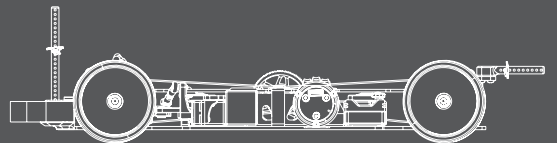


Composite Front Shock Mount
XP-11157 Optional XP-11062



Composite Rear Shock Mount
XP-11157 Optional XP-11063

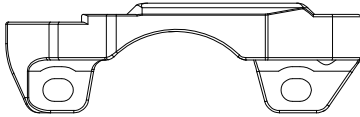




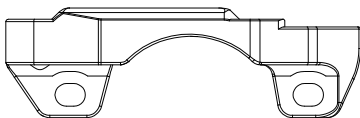
Bag I, Bag N and HW Bag

 **4.8mm Ball End 8mm Thread**
XP-10238

 **Composite Shim 3 x 5.5 x 1 mm**
XP-11120



Composite Camberlink Mount Type A
XP-11158

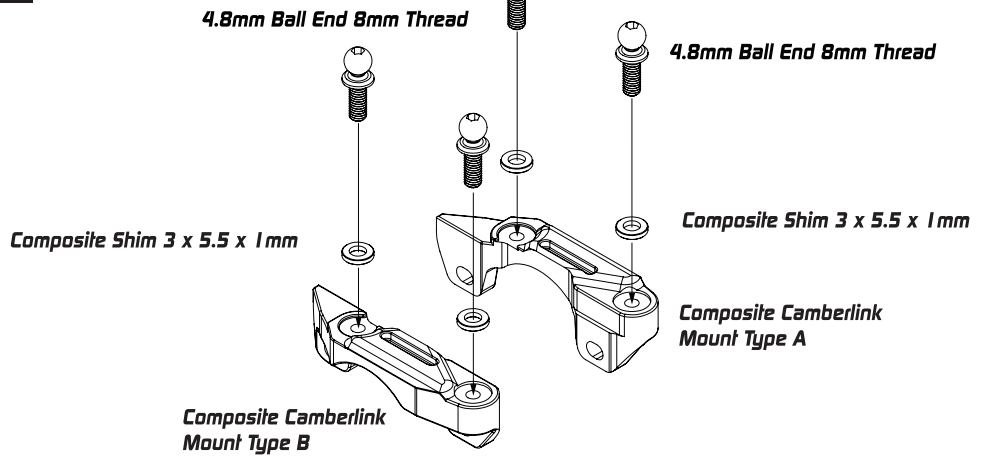


Composite Camberlink Mount Type B
XP-11158

 **Hex Set Screw M3x10mm**
XP-40055

 **Composite Body Support Brace**
XP-11120

2X



**Assemble Front and Rear in the same way*

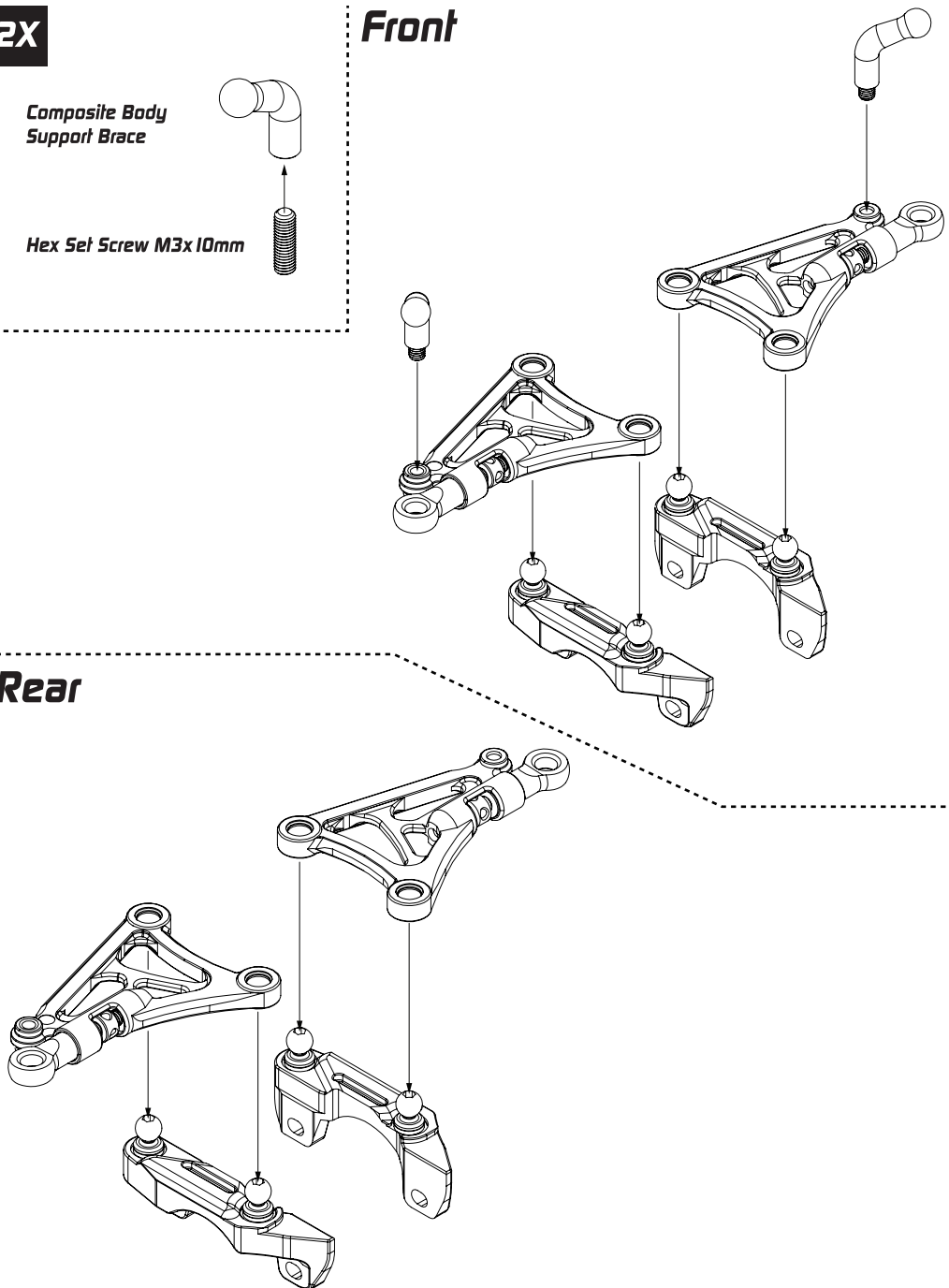
2X

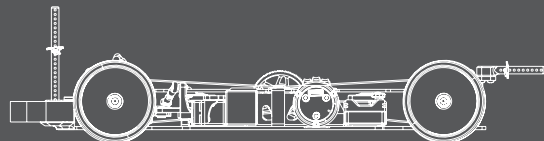
Composite Body Support Brace

Hex Set Screw M3x10mm

Front

Rear



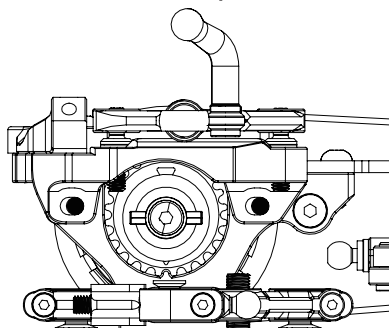


HW Bag

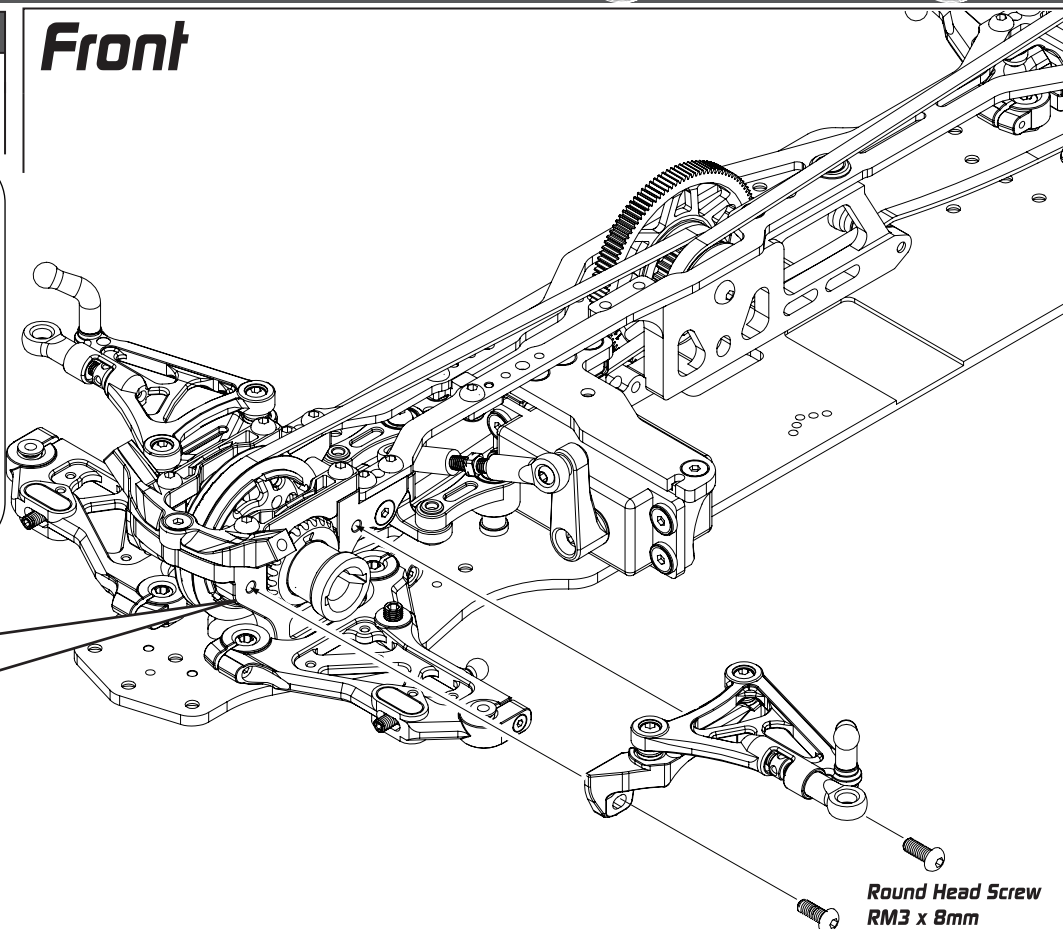


Round Head Screw M3 x 8mm
XP-40038

Default Setup



Front

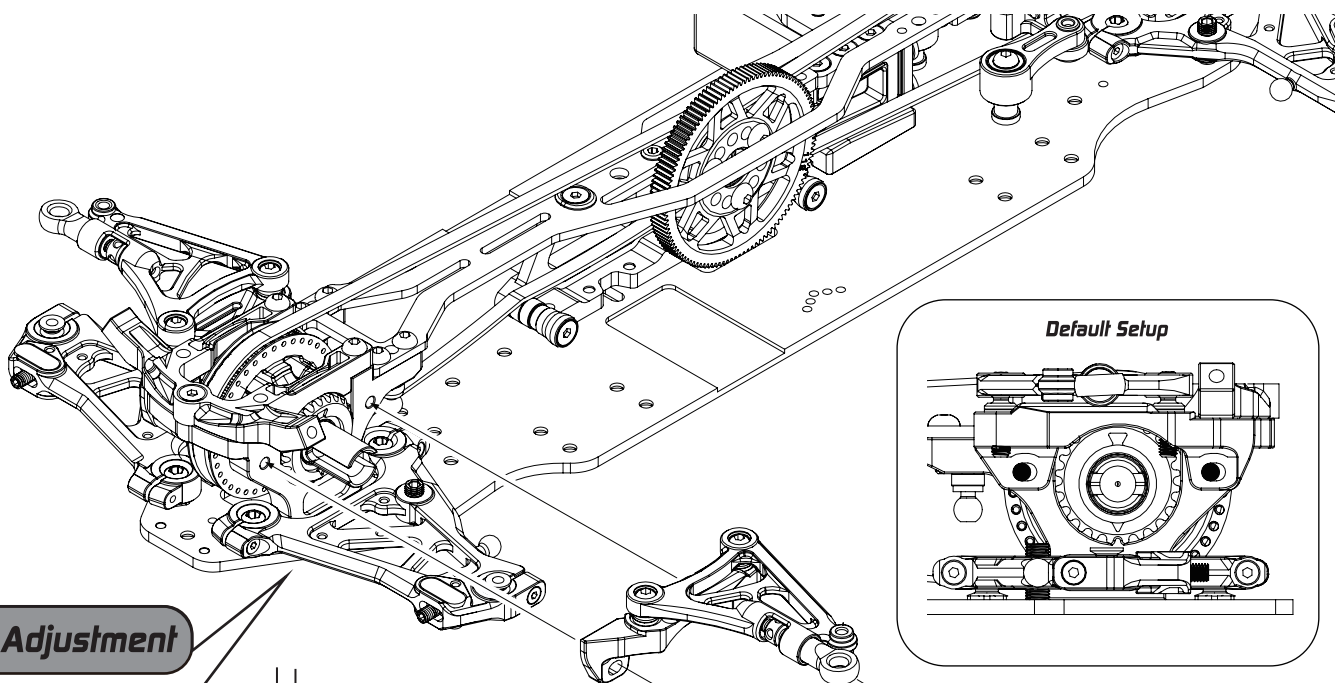


Caster Adjustment

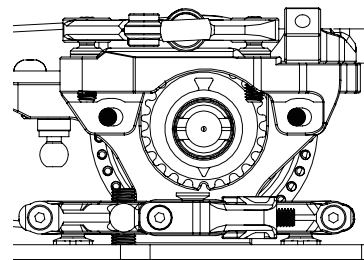
Default = 4°

Push Backward = 6°

Round Head Screw
RM3 x 8mm



Default Setup



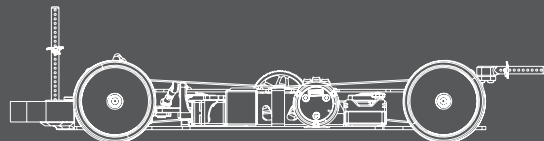
Caster Adjustment

Default = 2°

Push Backward = 4°

Round Head Screw
RM3 x 8mm

Rear



Bag N and HW Bag



Composite Shim 3 x 5.5 x 2mm
XP-11120

Front

Composite Shim 3 x 5.5 x 2mm

For Front Steering Block

*Assemble Left and Right in the same way

26.7mm

6mm

8mm

Rear

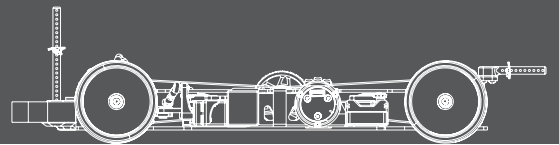
For Rear Steering Block

*Assemble Left and Right in the same way

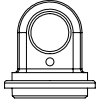
18.5mm

6mm

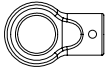
8mm



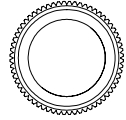
Bag K



Long Travel Short Shock Composite Shock Top Connector (Black) XP-10396



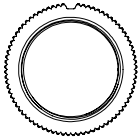
Long Travel Short Shock Lower Connector (Black) XP-10396



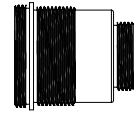
Alu Upper Short Shock Cap XP-10397



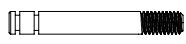
Alu Lower Short Shock Cap XP-10398



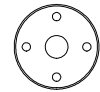
Alu Short Shock Spring Tension Adjust Nut XP-10399



Composite Short Shock Body XP-10596



Short Shock Shaft XP-10582



4 Hole Piston XP-10159



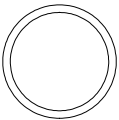
Shock Absorber Membrane XP-10147



E-Clip 2.5mm XP-40057



Shock O-Ring XP-10160



O Ring For Short Shock Spring Adjust Nut XP-10607

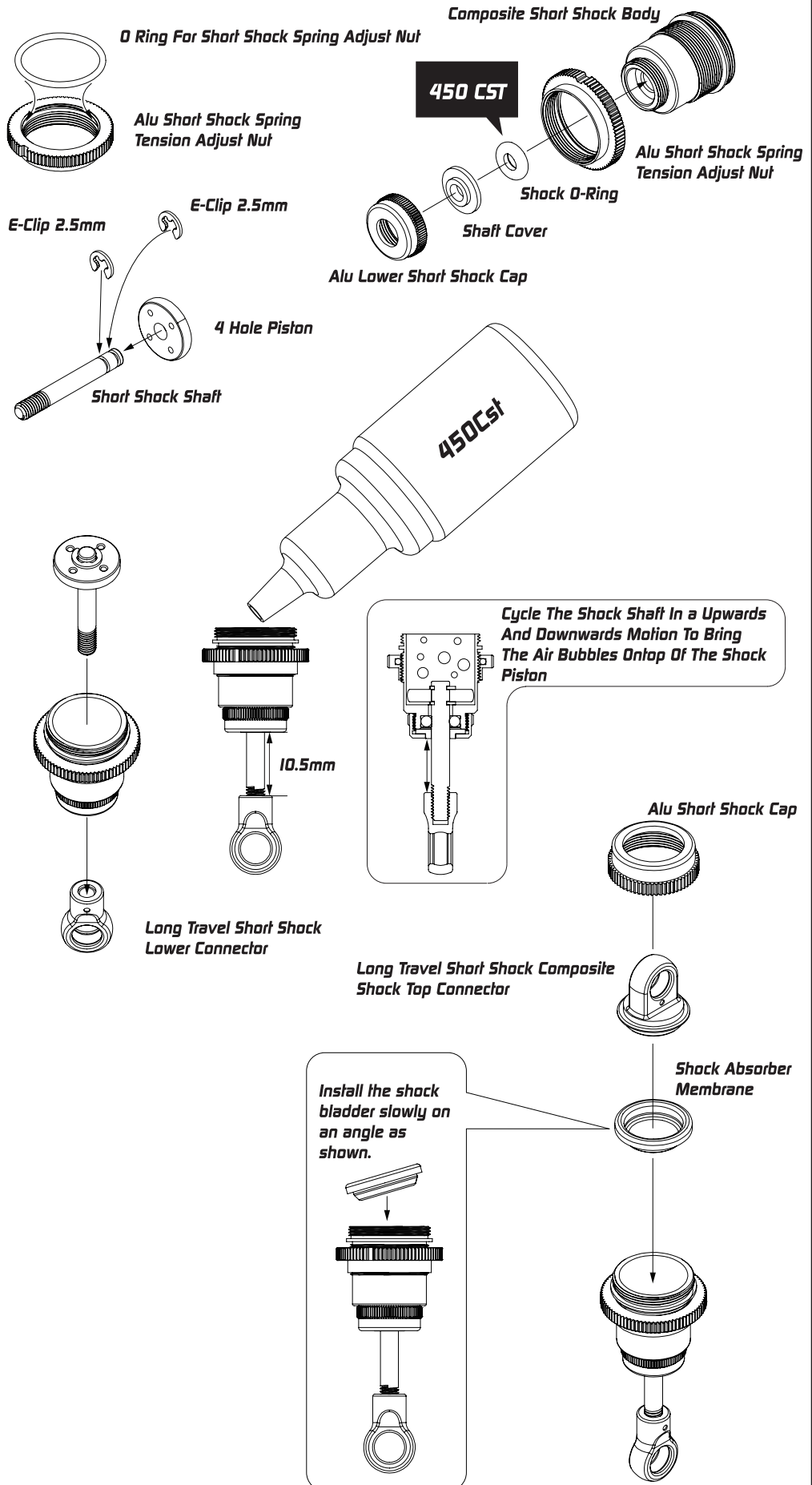


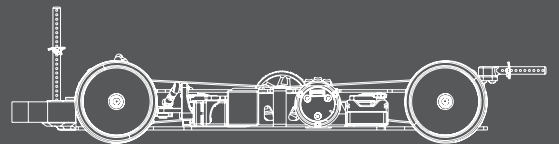
Shaft Cover XP-10159

Optional

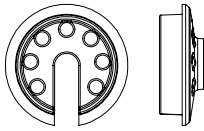


Shock X-Ring XP-10601

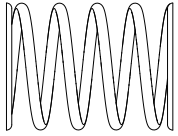




Bag K , N , FRP and HW Bag



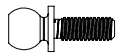
Short Spring Retainer (Black) XP-10396



Shock Spring Medium Silver XP-10169
Optional XP-10168 (Soft)
XP-10170 (Stiff)



Pivot Ball 5.5 mm XP-10121



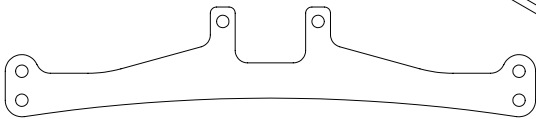
5.5mm Ball End 8mm Thread XP-11128



Round Head Screw RM3 x 12mm XP-40040



Composite Shim 3 x 5.5 x 2mm XP-11120

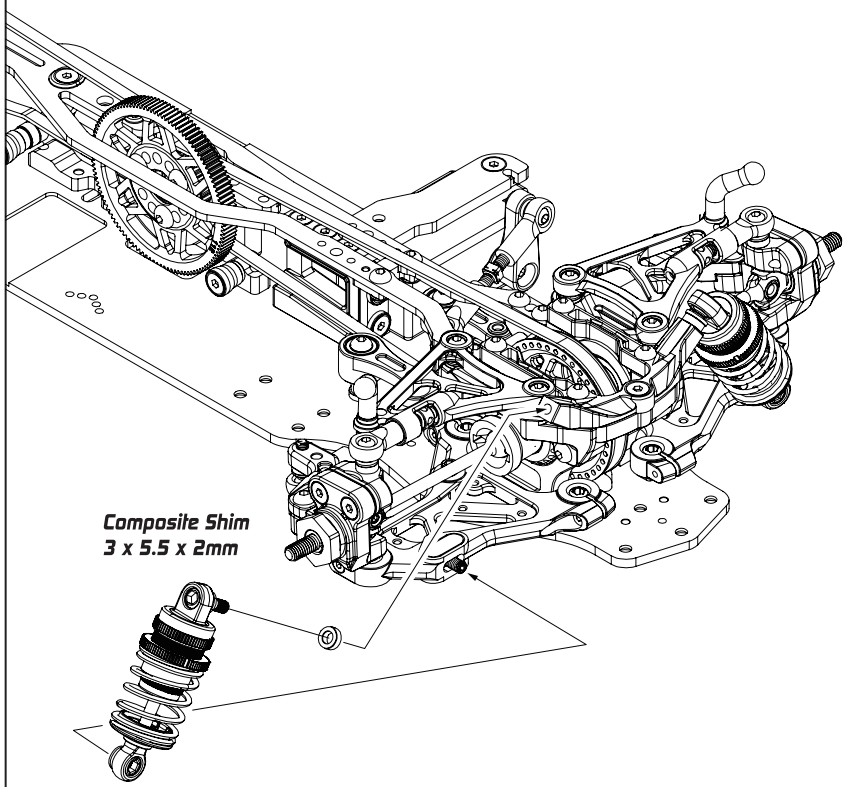
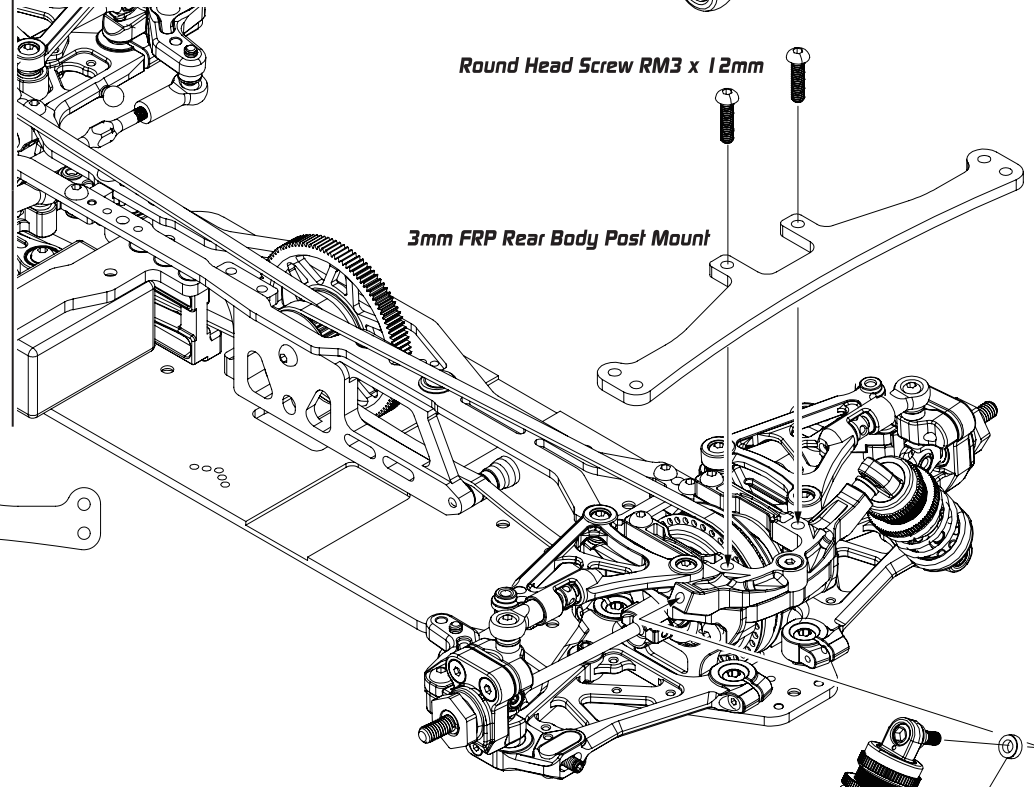
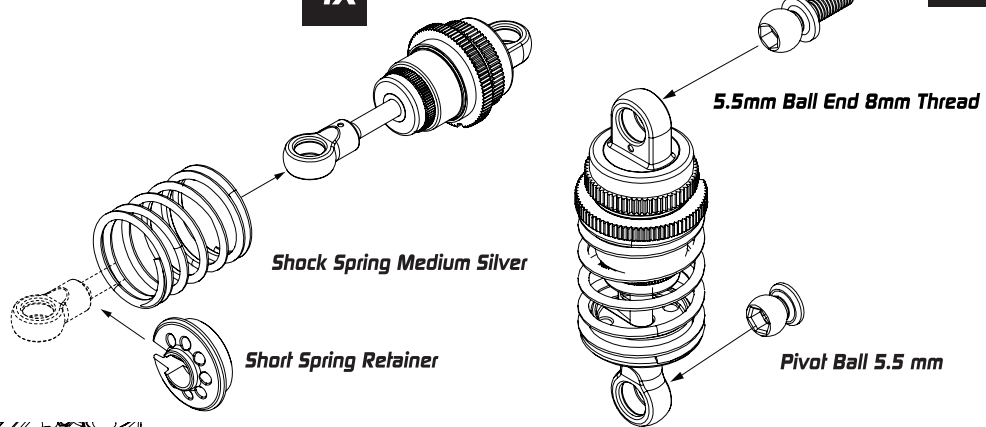


3mm FRP Rear Body Post Mount XP-11154 Optional XP-11095

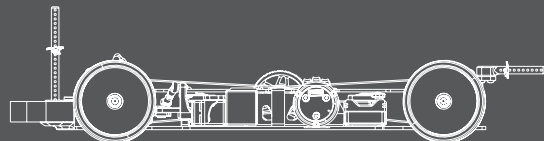
4X

Pivot Ball 5.5 mm

4X



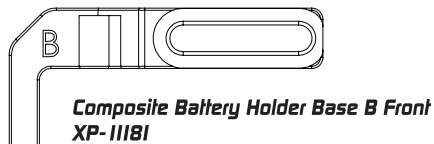
Composite Shim 3 x 5.5 x 2mm



Bag M and HW Bag

- Flat Head Screw M3 x 6mm
XP-40046
- Flat Head Screw M3 x 8mm
XP-40048
- Flat Head Screw M3 x 14mm
XP-40114
- Round Head Screw M3 x 12mm
XP-40040

- Composite Battery Holder Post For LCG Battery
XP-11181
- Battery Holder Spring
XP-11181
- Battery Holder Post
XP-11181



Composite Battery Holder Base B Back
XP-11181



Composite Battery Adaptor B

Composite Battery Holder Base B Back

Flat Head Screw M3 x 6mm

Composite Battery Adaptor B

Flat Head Screw M3 x 6mm

Composite Battery Holder Base B Front

Flat Head Screw M3 x 8mm

Flat Head Screw M3 x 14mm

Round Head Screw M3 x 12mm

Hex Set Screw M3 x 4mm

Battery Holder Spring

Battery Holder Post

Composite Battery Holder

Composite Battery Holder Post For Standard Battery

Flat Head Screw M3 x 8mm

Flat Head Screw M3 x 14mm

Note The Direction



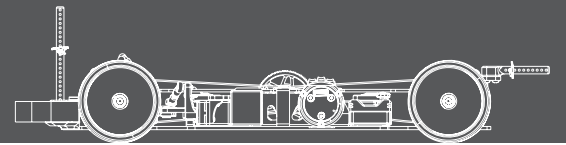
Note The Direction



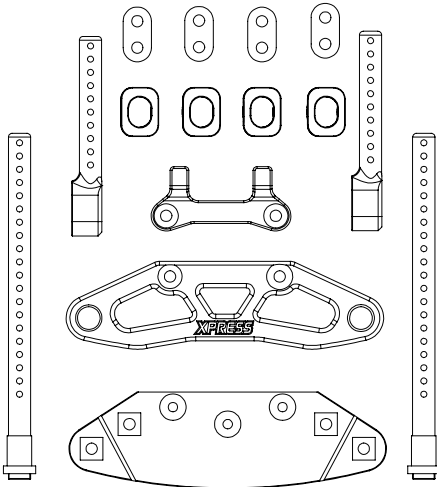
Composite Battery Holder Post For LCG Battery

Hold Battery Hook For Easier Installation

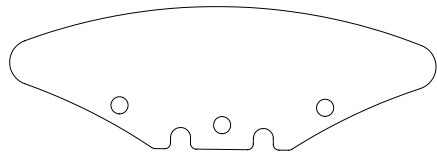
Pre-thread Post For Easy Installation



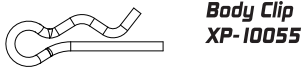
HW Bag



Low Profile Bumper Body Post Set V3
XP-11058



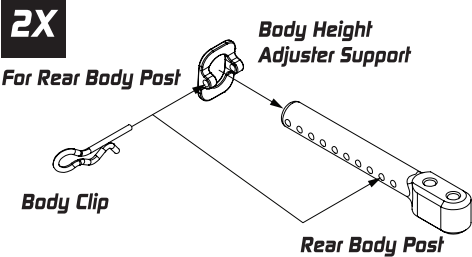
Foam Bumer Light V2
XP-11050



Body Clip
XP-10055

Flat Head Screw M3 x 8mm
XP-40048

Flat Head Screw M3 x 10mm
XP-40049



2X

Body Height Adjuster Support

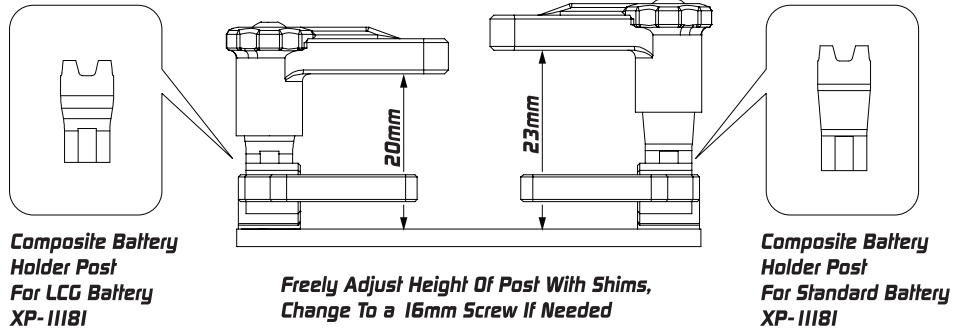
Body Clip

Rear Body Post

Front Body Post

Lower Bumper

Flat Head Screw M3 x 8mm

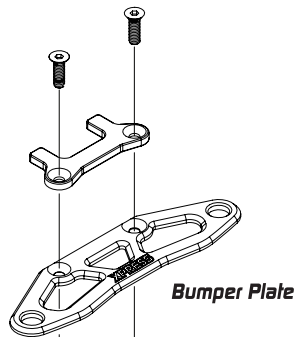


Composite Battery Holder Post
For LCG Battery
XP-11181

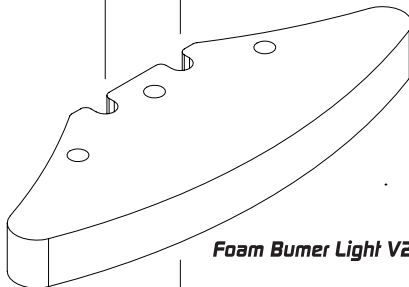
Freely Adjust Height Of Post With Shims,
Change To a 16mm Screw If Needed

Composite Battery Holder Post
For Standard Battery
XP-11181

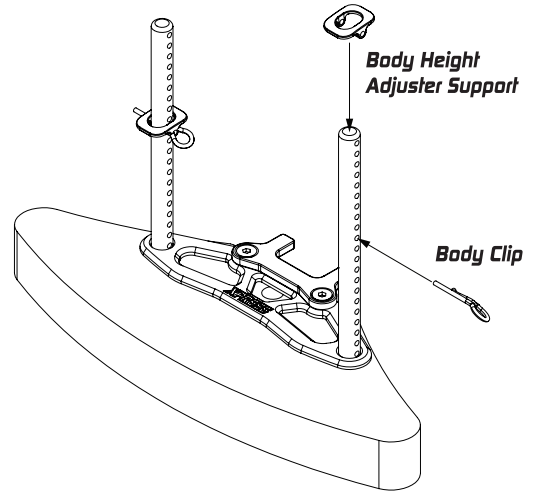
Flat Head Screw M3 x 10mm



Bumper Plate



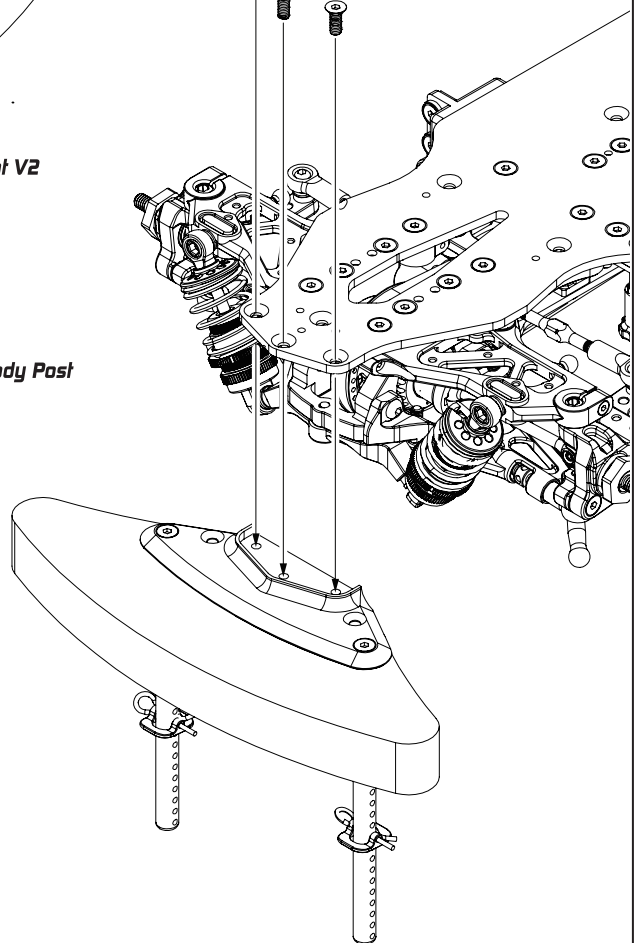
Foam Bumer Light V2

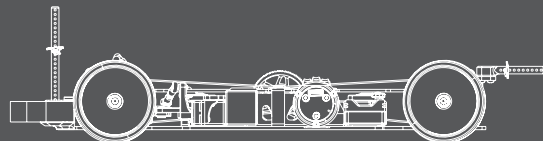


Body Height Adjuster Support

Body Clip

Flat Head Screw M3 x 8mm





HW Bag

[Motor Not Included]

[ESC Not Included]

[Cooling Fan Not Included]

[Receiver Not Included]

[Double Sided Tape Not Included]

[Pinion Not Included]

[Set Screw Not Included]

Round Head Screw M3 x 8mm

Round Head Screw M3 x 8mm
XP-40038

Adjust the Rear Body Post Height

[Battery Not Included]

Round Head Screw M3 x 12mm

Round Head Screw M3 x 12mm
XP-40040

Lock Nut 7mm
XP-40068

Lock Nut 7mm

[Wheels Not Included]



Latest Parts & Hop-Ups Information
www.rc-xpress.com/execute-xq3s-parts

Driver _____ Track Surface _____ Track Temperature _____
 Date _____ Track Traction _____ Result _____ Air Temperature _____
 Track _____ Country _____ Best Lap _____ Humidity _____ Remark _____

Front

Carbon Plate
 Hard
 Soft
 No

Alu
 Alu
 Hard
 Soft

Hex _____ mm
Spacer _____ mm
Sway Bar _____ mm

Ride Height _____ mm
Camber _____ mm
Toe _____ mm
Downstop _____ mm

Spool
 High Diff
 Low Diff

Gear Diff
Cst _____
Weight _____

Steering _____ mm
Remark _____

Shocks
Spring _____
Oil _____
Rebound _____
Piston _____
Length _____
Note _____

Rear

Carbon Plate
 Hard
 Soft
 No

Alu
 Alu
 Hard
 Soft

Hex _____ mm
Spacer _____ mm
Sway Bar _____ mm

Ride Height _____ mm
Camber _____ mm
Toe _____ mm
Downstop _____ mm

High Diff
 Low Diff

Gear Diff
Cst _____
Weight _____

Remark _____

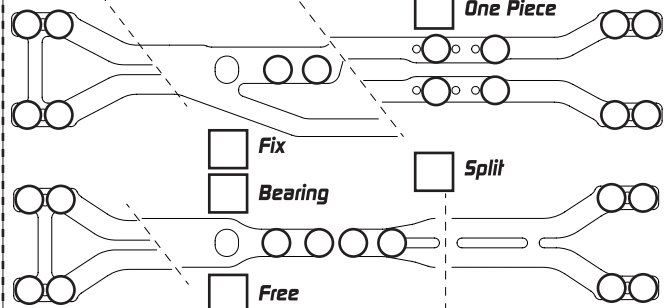
Shocks
Spring _____
Oil _____
Rebound _____
Piston _____
Length _____
Note _____

Weight _____ g
Battery _____
Body _____

Tires _____
Additive _____

ESC _____
Motor _____
Spur _____ P/ _____ T _____ Servo _____ mm
Pinon _____ P/ _____ T _____ FDR _____

Weight _____ g
 Carbon
 Alu
Weight _____ g

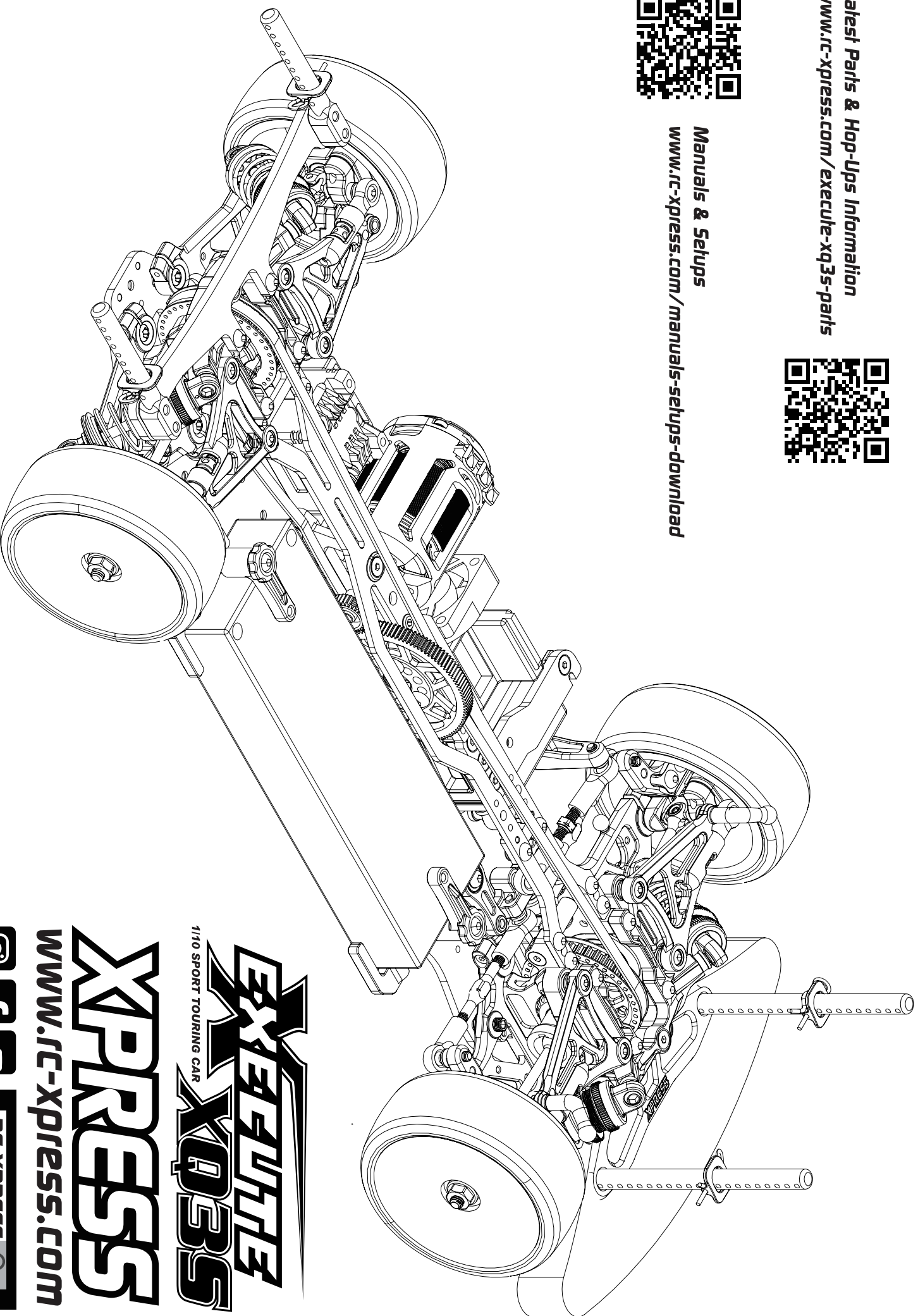


Latest Parts & Hop-Ups Information
www.rc-xpress.com/execute-xq3s-parts



Manuals & Setups

www.rc-xpress.com/manuals-setups-download



EXECUTE
1/10 SPORT TOURING CAR
XQ3S

XPRESS

www.rc-xpress.com



RC XPRESS